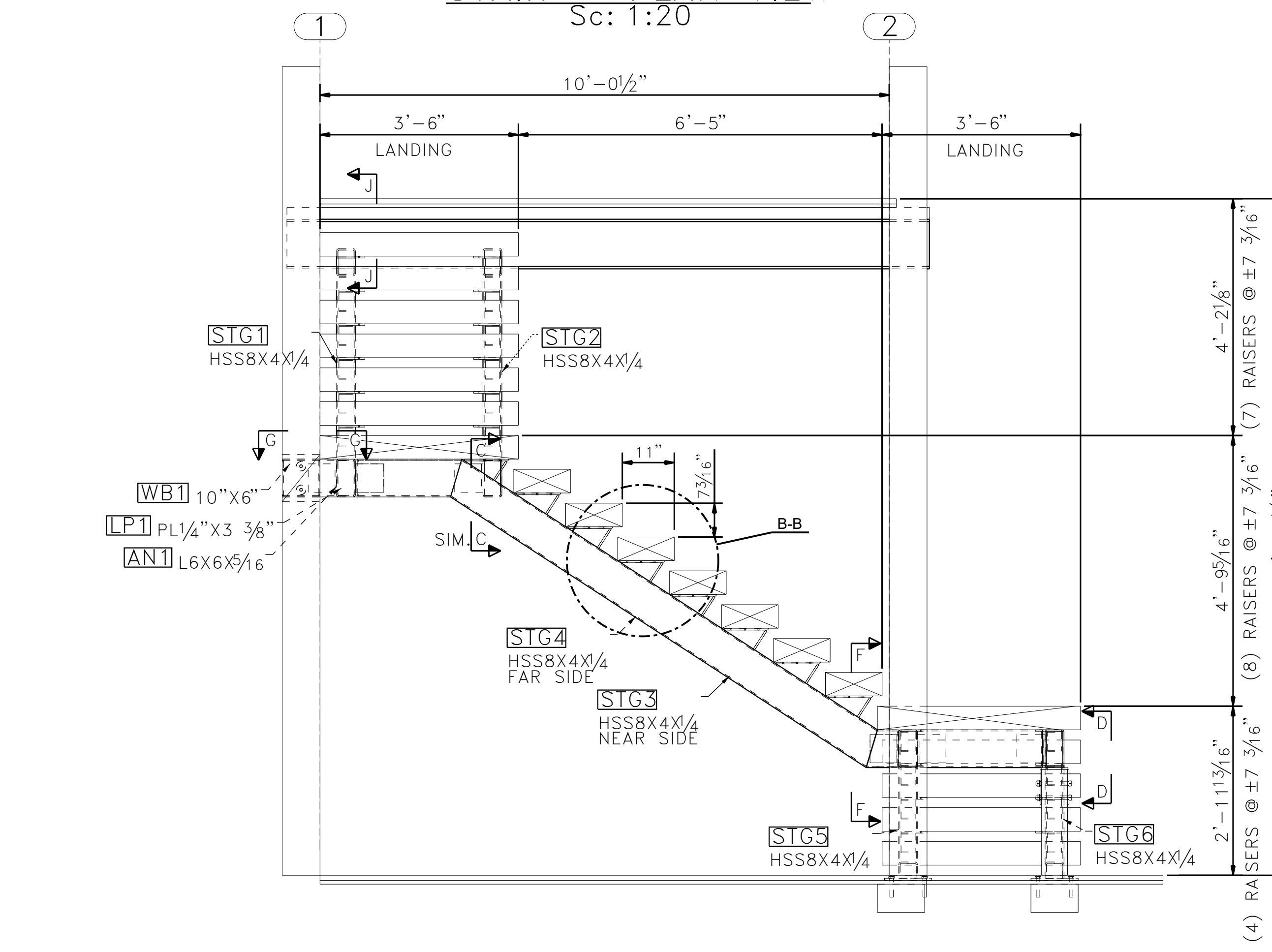
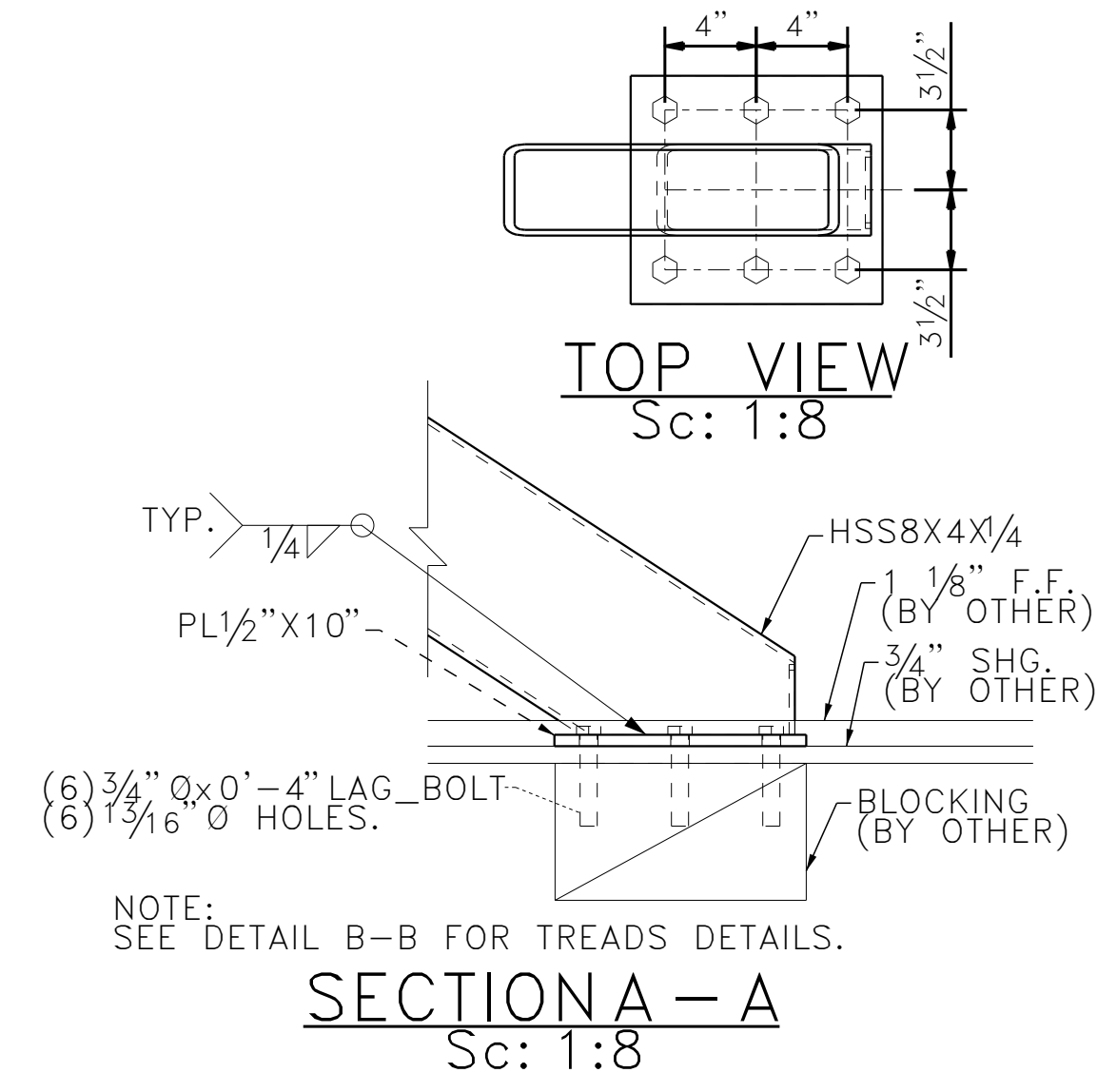


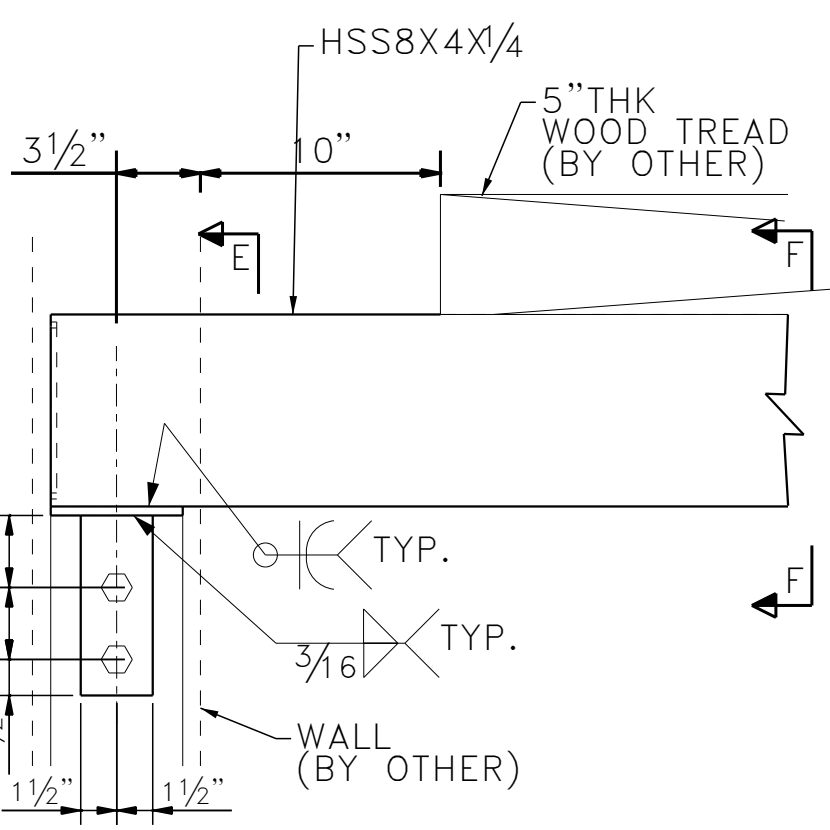
STAIR - PLAN VIEW
Sc: 1:20



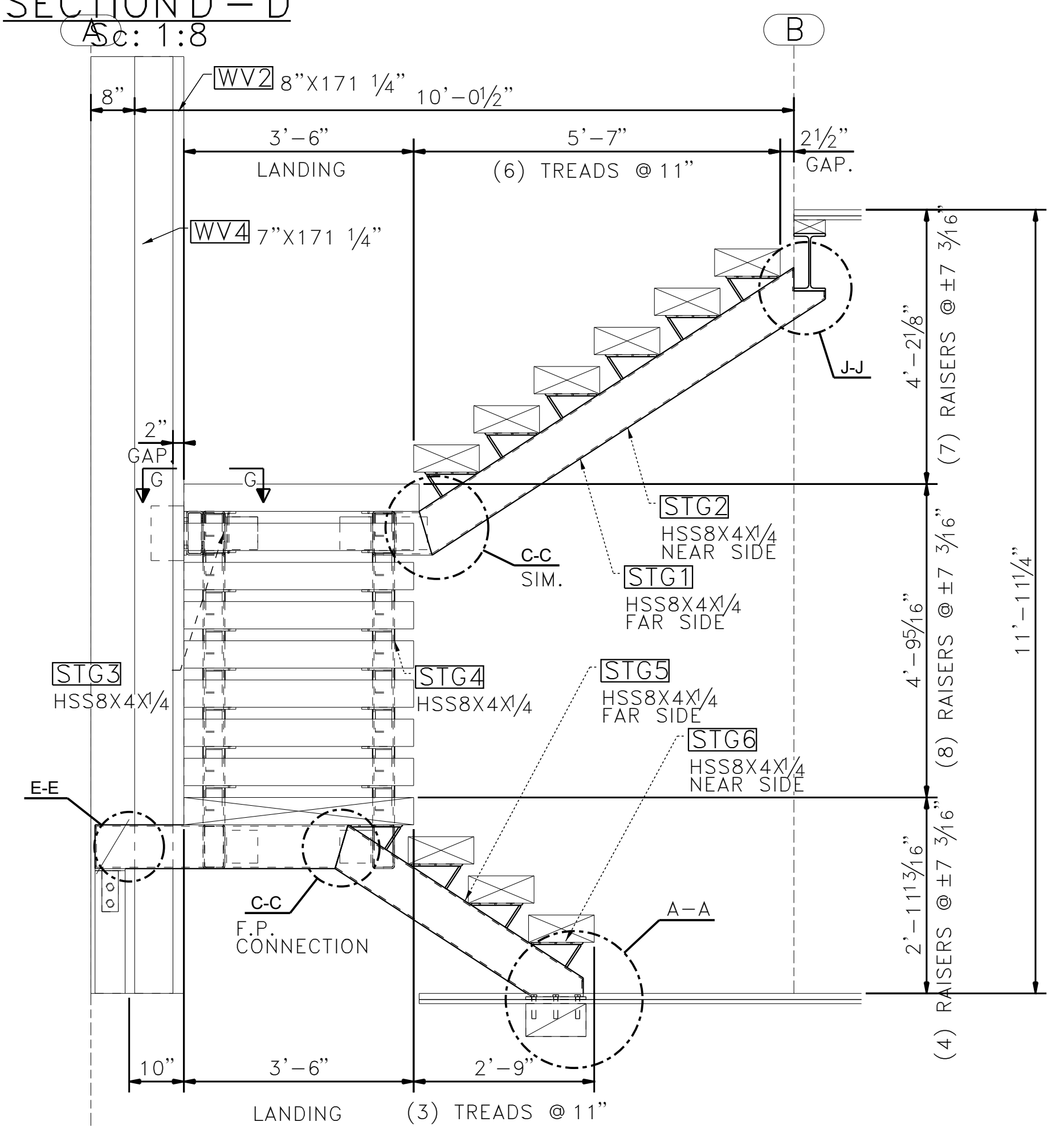
ELEVATION - EAST SIDE
Sc: 1:20



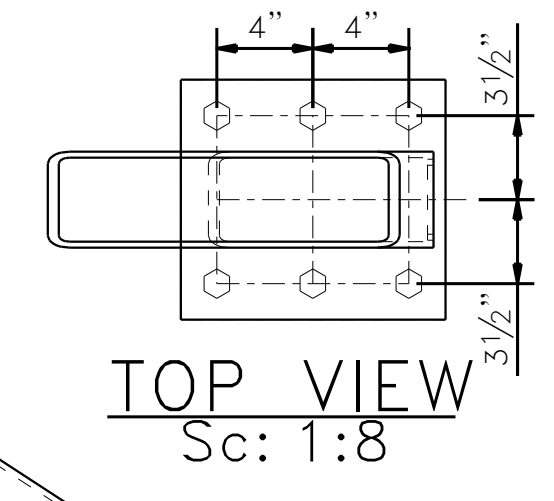
SECTION A - A
Sc: 1:8



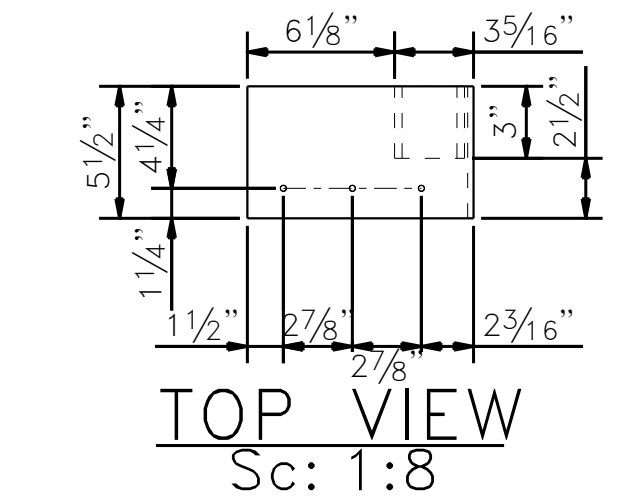
SECTION D - D
Sc: 1:8



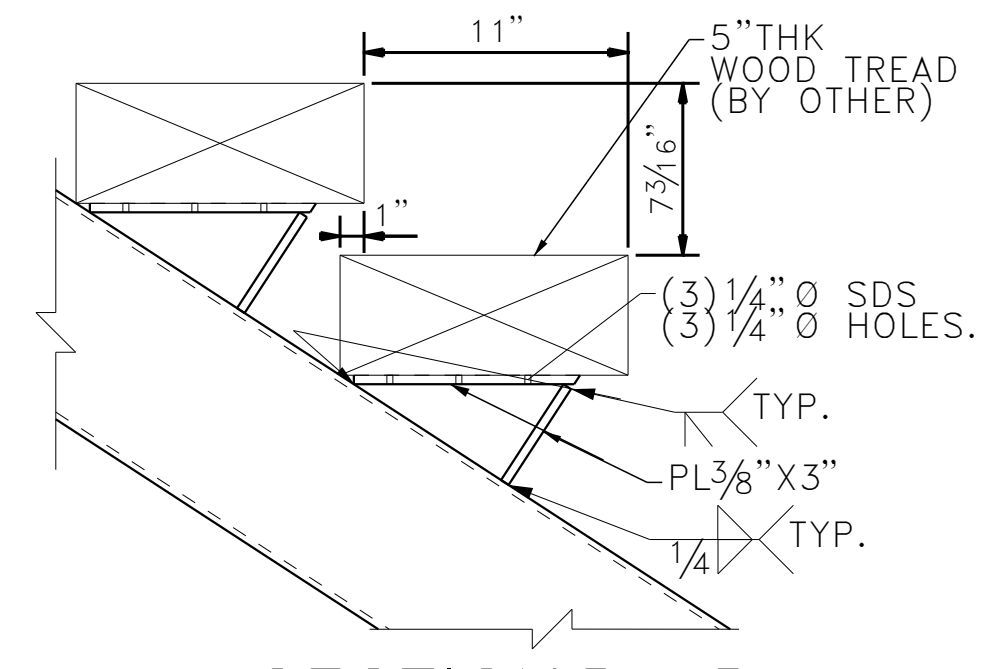
ELEVATION - NORTH SIDE
Sc: 1:20



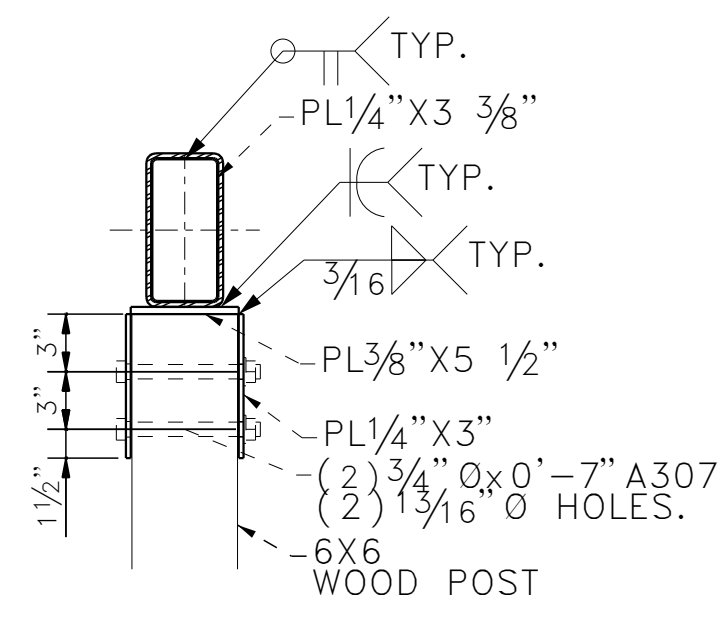
TOP VIEW
Sc: 1:8



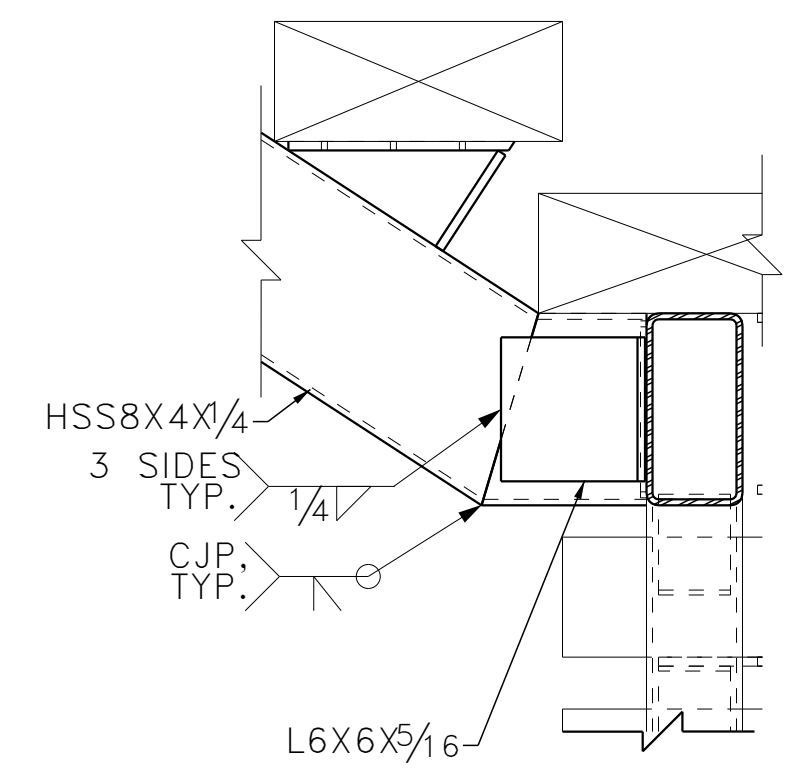
TOP VIEW
Sc: 1:8



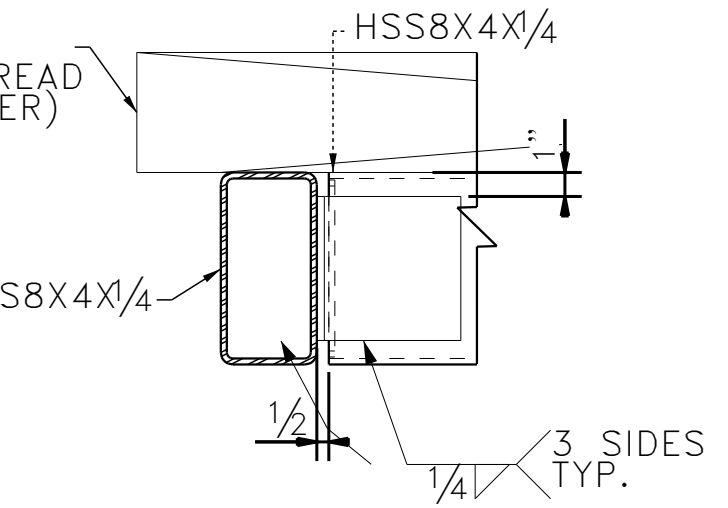
SECTION B - B
Sc: 1:8



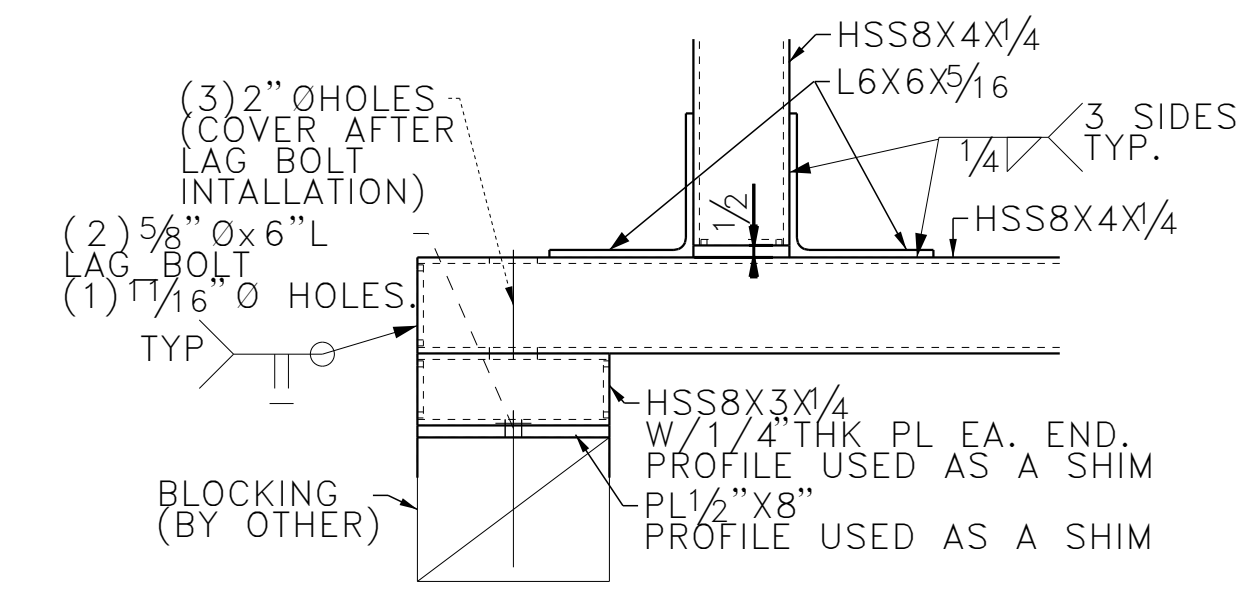
SECTION E - E
Sc: 1:10



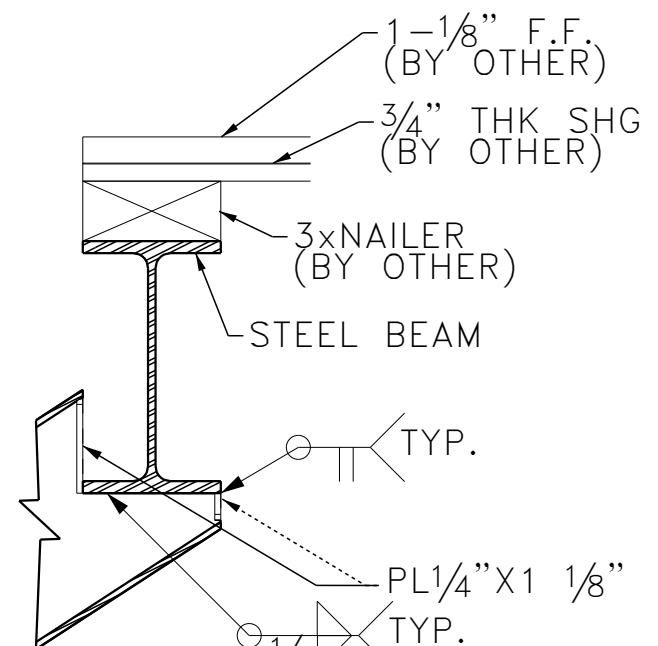
SECTION C - C
Sc: 1:8



SECTION F - F
Sc: 1:8



SECTION G - G
Sc: 1:8



SECTION J - J
Sc: 1:8

No.	Revision/Issue	Date
0	For Approval	09.21.2021
1	For Approval	10.21.2021

Description
STAIR PLAN VIEW

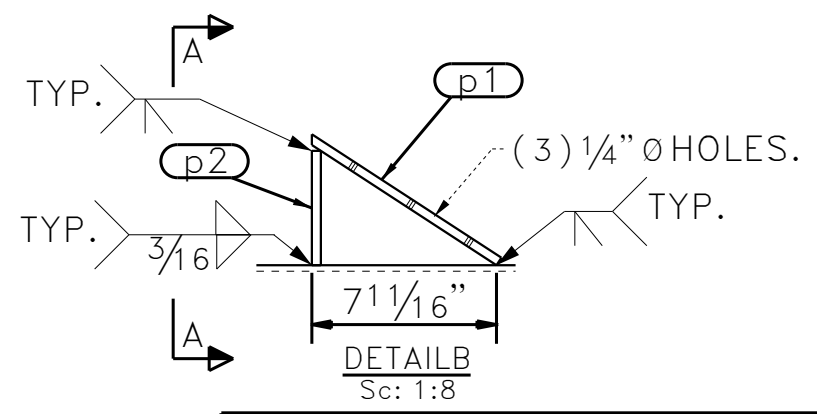
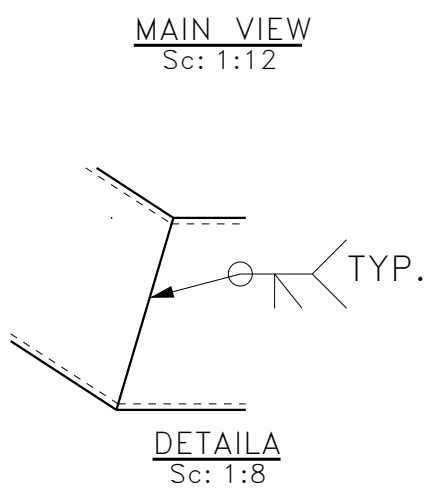
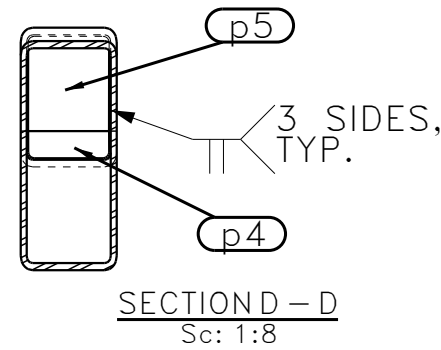
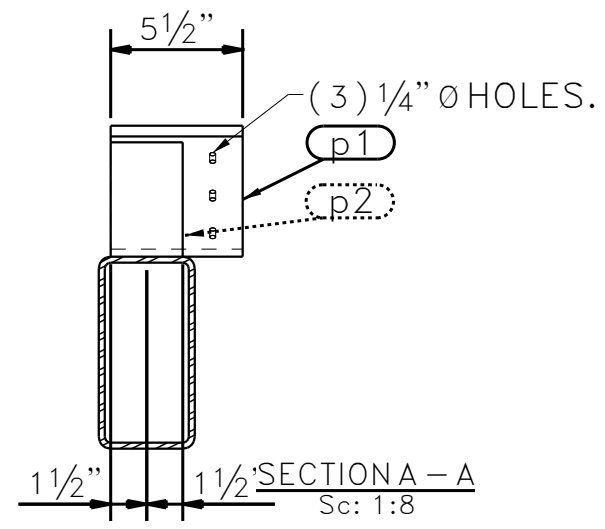
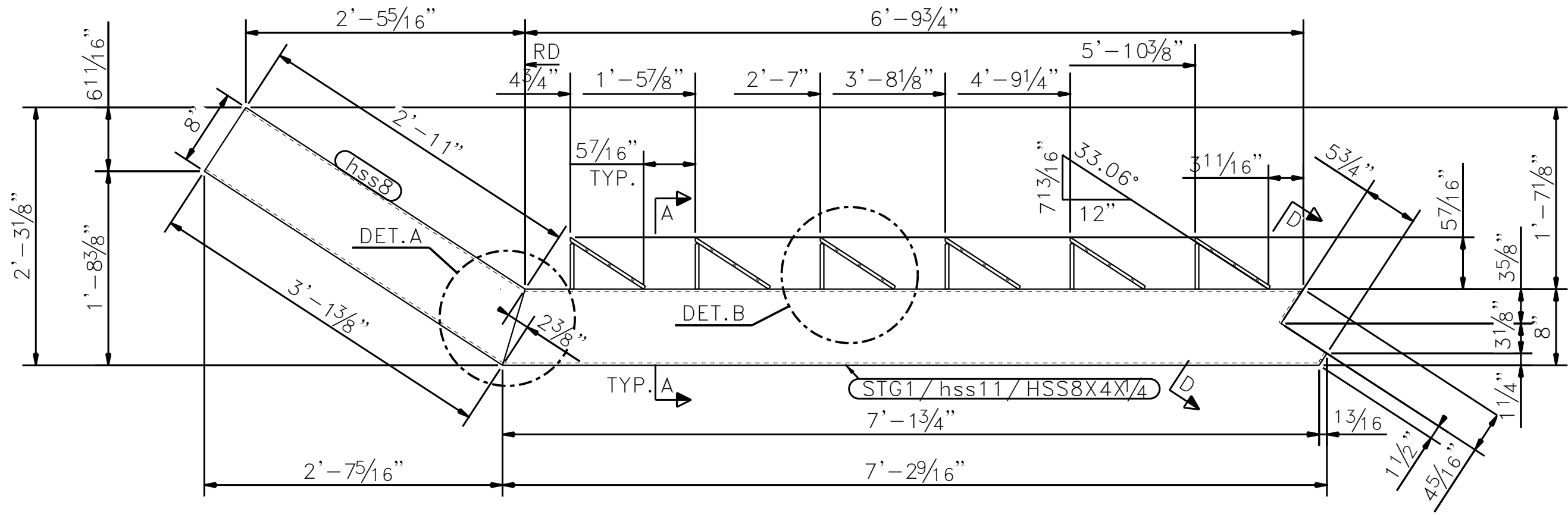
Project Name and Address
TSAROVSKY RESIDENCE
9514 MONTE MAR
LOS ANGELES, CA 90035

Project 18022
Date 09/21/2021
Drawn A.Y.
Checked A.Y.

Filename
STAIR

KEY PLAN

AZI STEEL
Structural Steel W
19528 VENTURA BLVD. #243
TARZANA, CA 91356
Ph: (818) 390-8904
Fax: azisteel@gmail.com



ASSEMBLY BILL OF MATERIAL FOR - STG1 - (1)REQ'D					
MARK	QTY	PROFILE	LENGTH	WEIGHT	GRADE
STG1	1	STRINGER			
hss11	1	HSS8X4X1/4	7'-2 9/16"	128.67	A500-GR.B
hss8	1	HSS8X4X1/4	3'-1 3/8"	55.54	A500-GR.B
p1	6	PL3/8"x5 1/2"	0'-9 7/16"	32.65	A36
p2	6	PL3/8"x3"	0'-4 3/4"	9.12	A36
p4	1	PL1/4"x1 1/8"	0'-3 3/8"	0.27	A36
p5	1	PL1/4"x3 3/8"	0'-3 15/16"	0.94	A36
TOTAL WEIGHT THIS DRAWING				227.19	

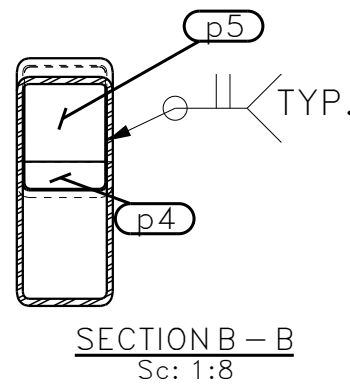
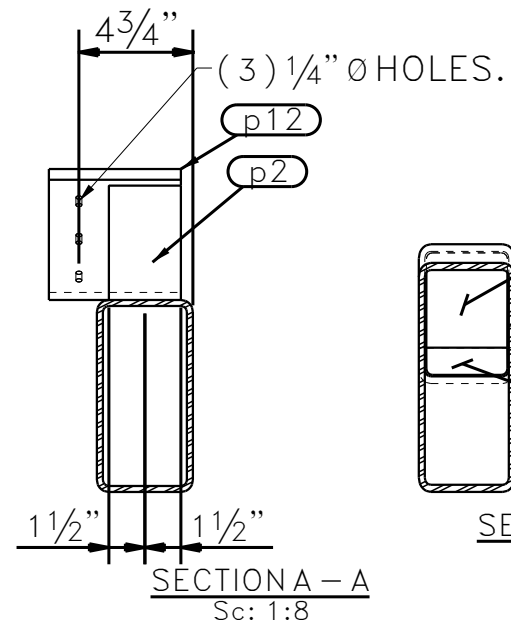
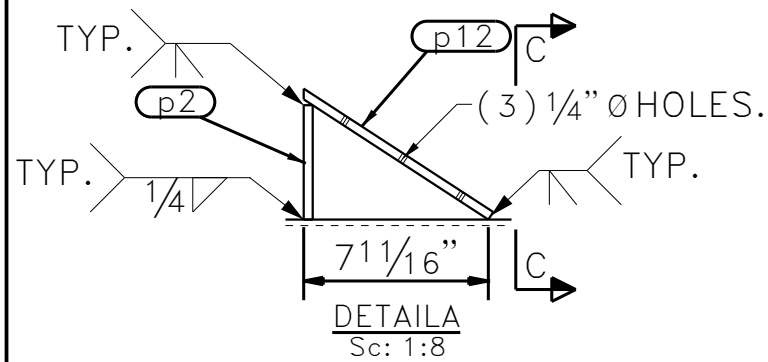
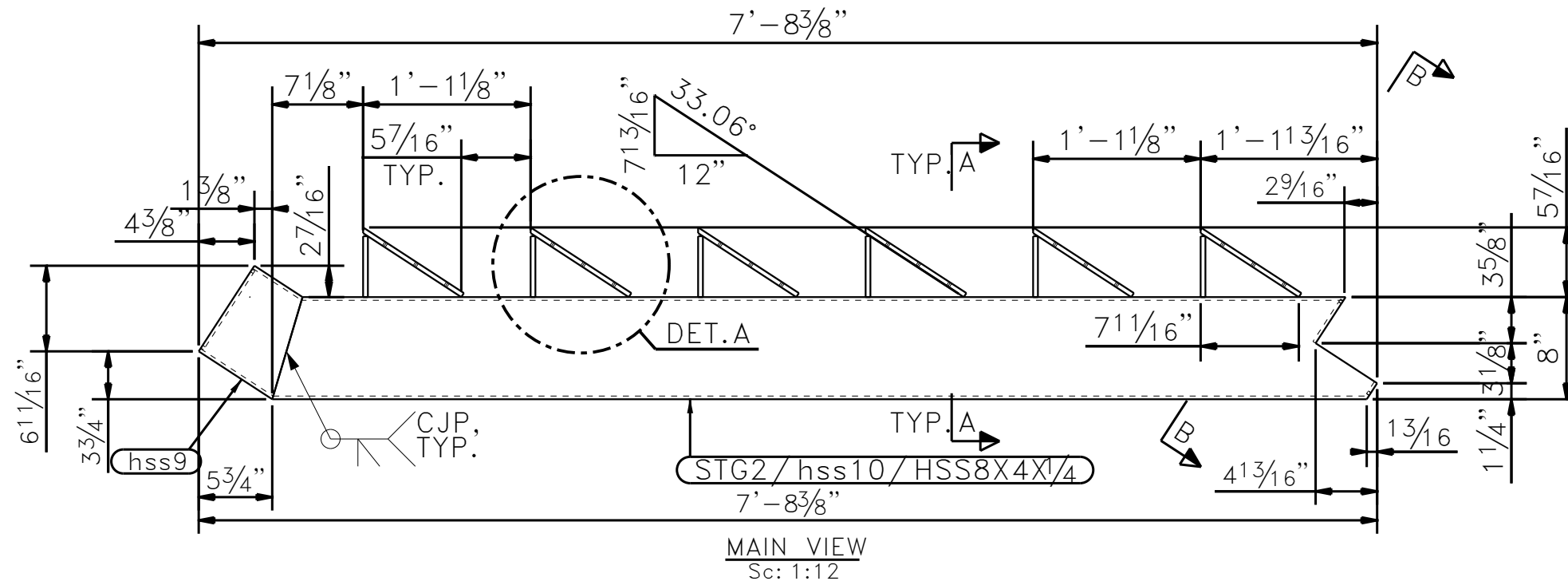
No.	Revision/Issue	Date
0	For Approval	09/21/2021
1	For Approval	10/21/2021

Description
STRINGER

Project Name and Address
TSAROVSKY RESIDENCE
9514 MONTE MAR
LOS ANGELES, CA 90035
KEY PLAN

AZI STEEL
Structural Steel W
19528 VENTURA BLVD. #203
TARZANA, CA 91356
Ph: (818) 390-8904
Fax: azisteel@gmail.com

Project	18022
Date	09/21/2021
Scale	NONE
Drawn	A.Y.
Checked	A.Y.
Filename	STG1



ASSEMBLE BILL OF MATERIAL FOR - STG2 - (1)REQ'D

MARK	QTY	PROFILE	LENGTH	WEIGHT	GRADE
STG2	1	STRINGER			
hss10	1	HSS8X4X1/4	7'-2 9/16"	128.67	A500-GR.B
hss9	1	HSS8X4X1/4	0'-6 7/8"	10.22	A500-GR.B
p2	6	PL3/8"X3"	0'-4 3/4"	9.12	A36
p4	1	PL1/4"X1 1/8"	0'-3 3/8"	0.27	A36
p5	1	PL1/4"X3 3/8"	0'-3 15/16"	0.94	A36
p6	1	PL1/4"X3 3/8"	0'-7 3/8"	1.76	A36
p12	6	PL3/8"X5 1/2"	0'-9 7/16"	32.65	A36
TOTAL WEIGHT THIS DRAWING				183.63	

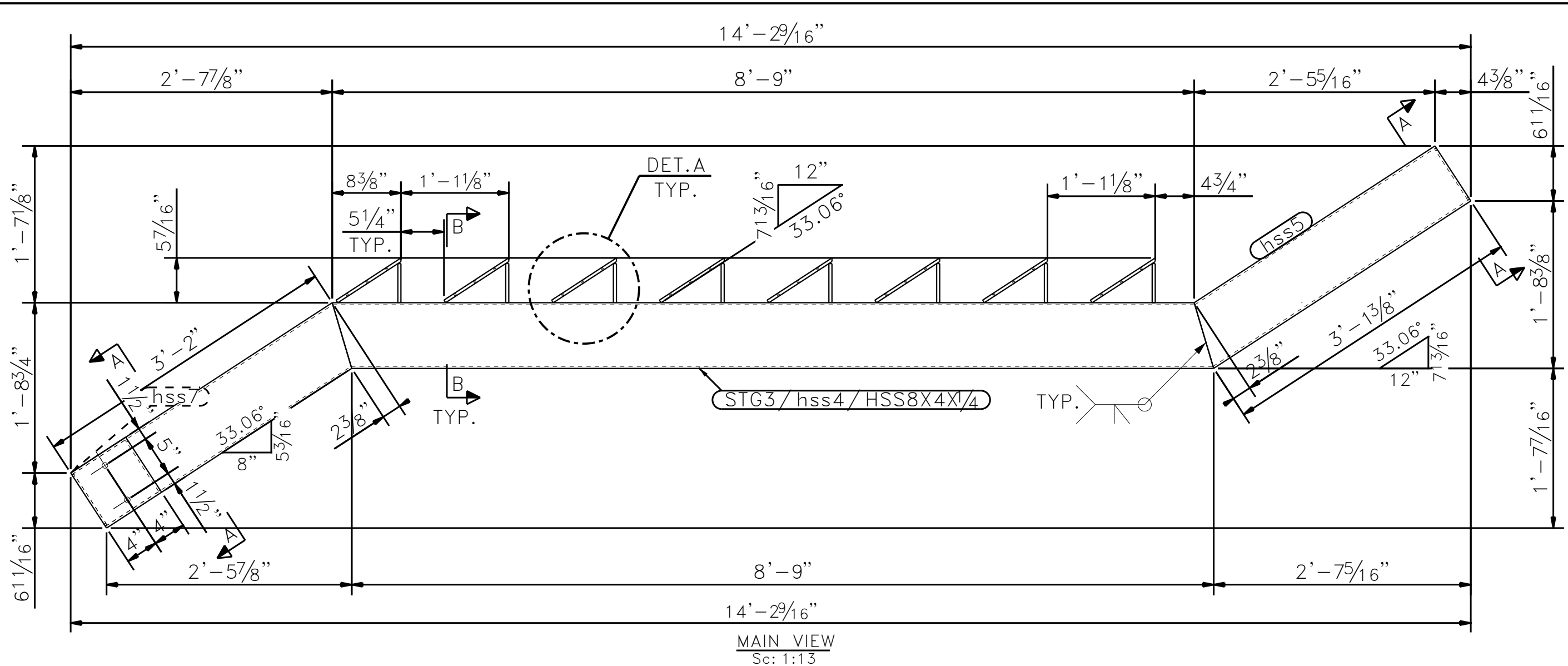
No.	Revision/Issue	Date
0	For Approval	09.21.2021
1	For Approval	10.21.2021

Description
STRINGER

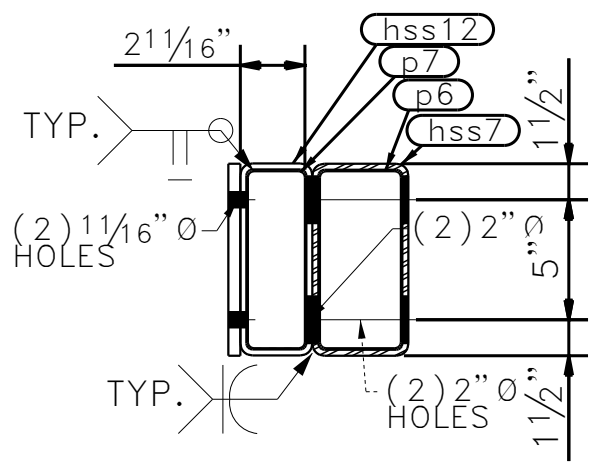
Project Name and Address
TSAROVSKY RESIDENCE
9514 MONTE MAR
LOS ANGELES, CA 90035
KEY PLAN

AZI STEEL
Structural Steel W
19528 VENTURA BLVD. #203
TARZANA, CA 91356
Ph: (818) 390-8904
Fax: azisteel@gmail.com

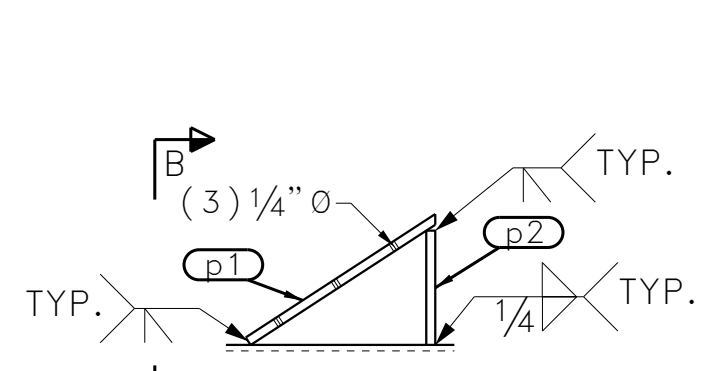
Project	18022
Date	09/21/2021
Scale	NONE
Drawn	A.Y.
Checked	A.Y.
Filename	STG2



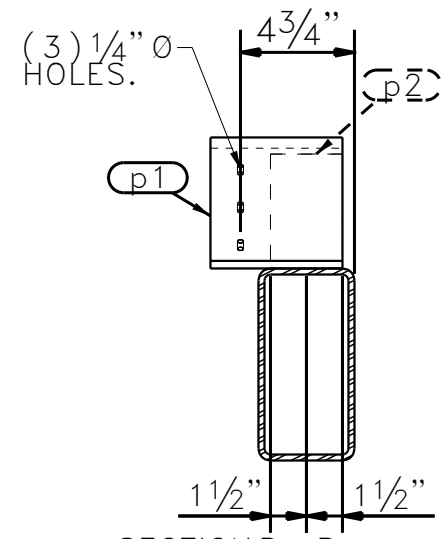
MAIN VIEW
Sc: 1:13



SECTION A - A
Sc: 1:8



DETAIL A
Sc: 1:8



SECTION B - B
Sc: 1:8

ASSEMBLY BILL OF MATERIAL FOR - STG3 - (1)REQ'D					
MARK	QTY	PROFILE	LENGTH	WEIGHT	GRADE
STG3	1	STRINGER			
hss4	1	HSS8X4X1/4	8'-11 3/8"	159.57	A500-GR.B
hss5	1	HSS8X4X1/4	3'-1 3/8"	55.54	A500-GR.B
hss7	1	HSS8X4X1/4	3'-2"	56.49	A500-GR.B
hss12	1	HSS8X3X1/4	0'-8"	10.82	A500-GR.B
p1	8	PL3/8"X5 1/2"	0'-9 7/16"	43.53	A36
p2	8	PL3/8"X3"	0'-4 3/4"	12.16	A36
p6	2	PL1/4"X3 3/8"	0'-7 3/8"	3.52	A36
p7	2	PL1/4"X2 3/8"	0'-7 3/8"	2.48	A36
p10	1	PL1/2"X8"	0'-8"	9.08	A572-GR.50
TOTAL WEIGHT THIS DRAWING				353.18	

No.	Revision/Issue	Date
0	For Approval	09/21/2021
1	For Approval	10/21/2021

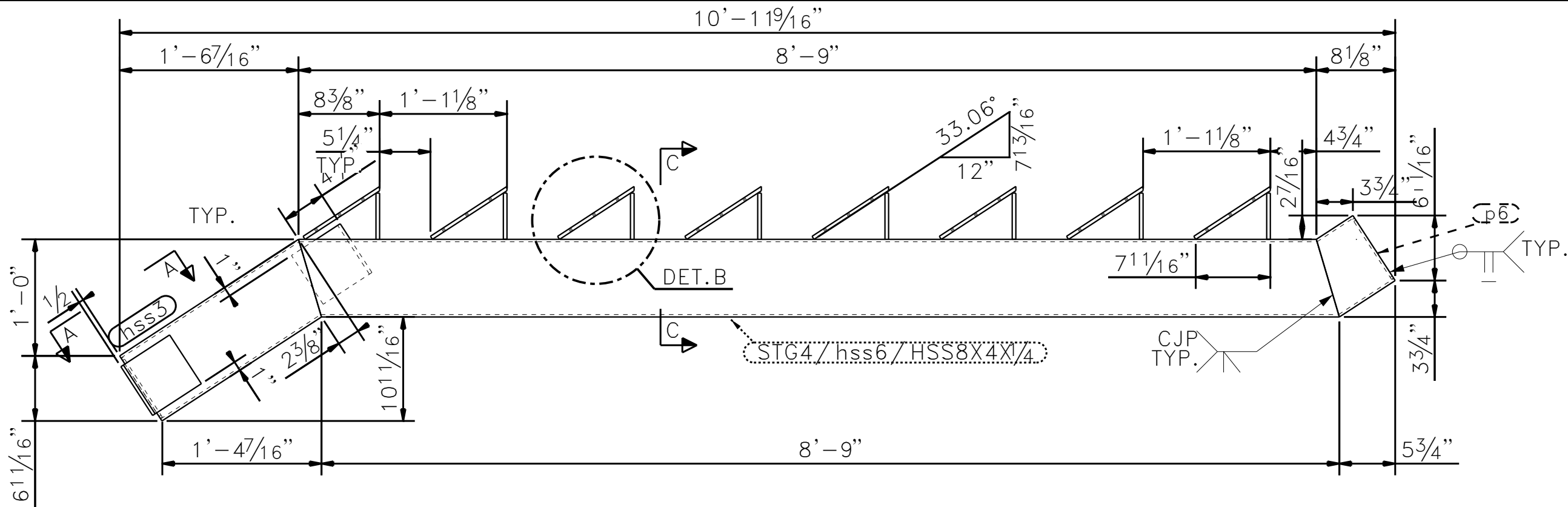
Description
STRINGER

Project Name and Address
TSAROVSKY RESIDENCE
9514 MONTE MAR
LOS ANGELES, CA 90035

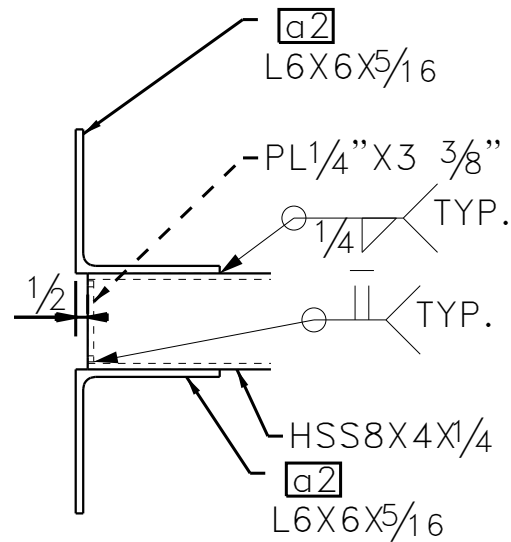
KEY PLAN

Project 18022
Date 09/21/2021
Scale NONE
Drawn A.Y.
Checked A.Y.
Filename STG3

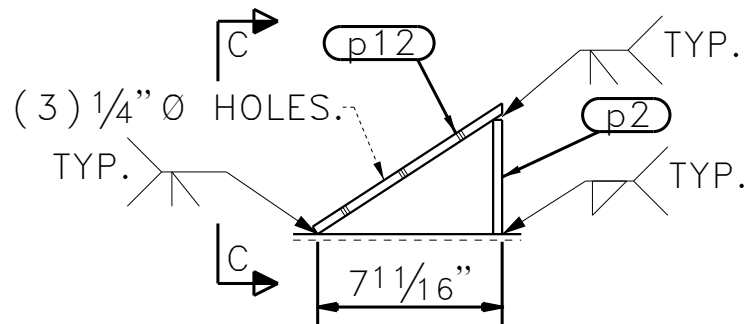
AZI STEEL
Structural Steel W
19528 VENTURA BLVD. #203
TARZANA, CA 91356
Ph: (818) 390-8904
Fax: azisteel@gmail.com



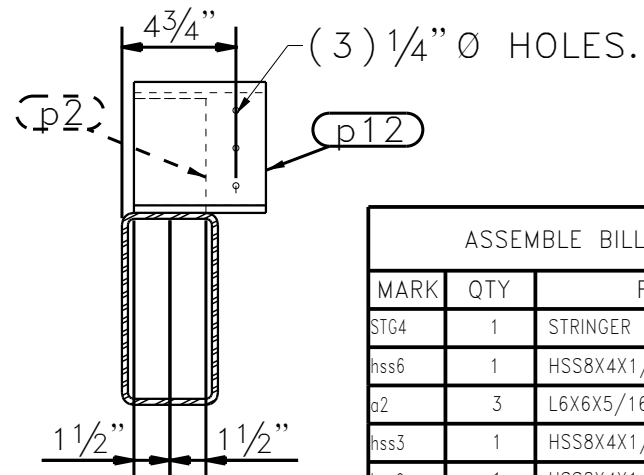
MAIN VIEW
Sc: 1:12



SECTION A - A
Sc: 1:8



DETAIL B
Sc: 1:8



SECTION C - C
Sc: 1:8

ASSEMBLE BILL OF MATERIAL FOR - STG4 - (1)REQ'D

MARK	QTY	PROFILE	LENGTH	WEIGHT	GRADE
STG4	1	STRINGER			
hss6	1	HSS8X4X1/4	8'-11 3/8"	159.57	A500-GR.B
a2	3	L6X6X5/16	0'-6"	18.73	A36
hss3	1	HSS8X4X1/4	1'-10"	32.71	A500-GR.B
hss9	1	HSS8X4X1/4	0'-6 7/8"	10.21	A500-GR.B
p2	8	PL3/8\"X3"	0'-4 3/4"	12.16	A36
p6	2	PL1/4\"X3 3/8"	0'-7 3/8"	3.52	A36
p12	8	PL3/8\"X5 1/2"	0'-9 7/16"	43.53	A36
TOTAL WEIGHT THIS DRAWING				280.44	

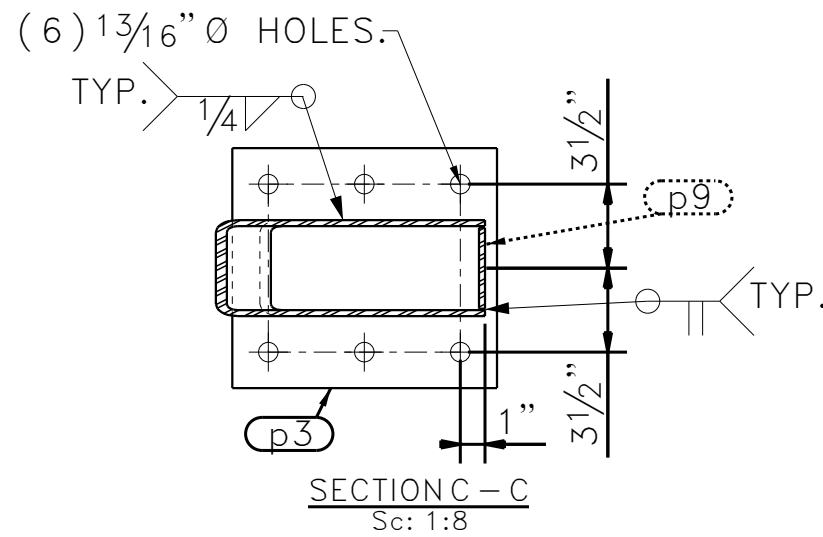
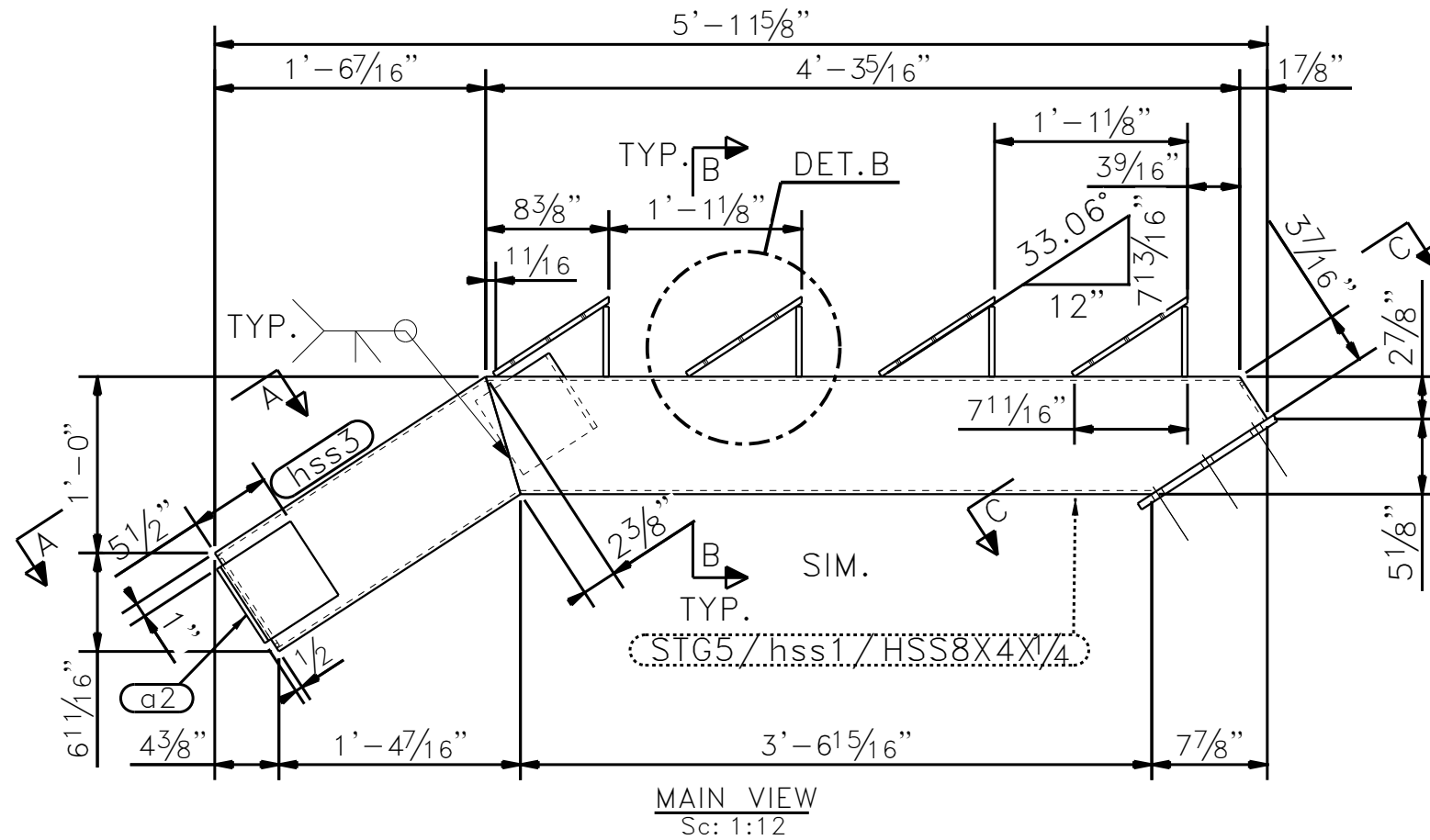
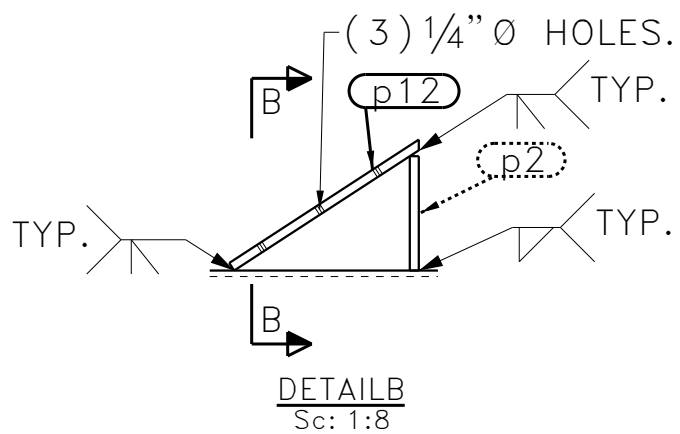
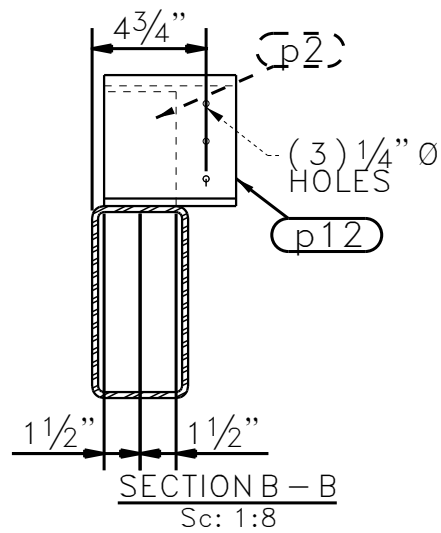
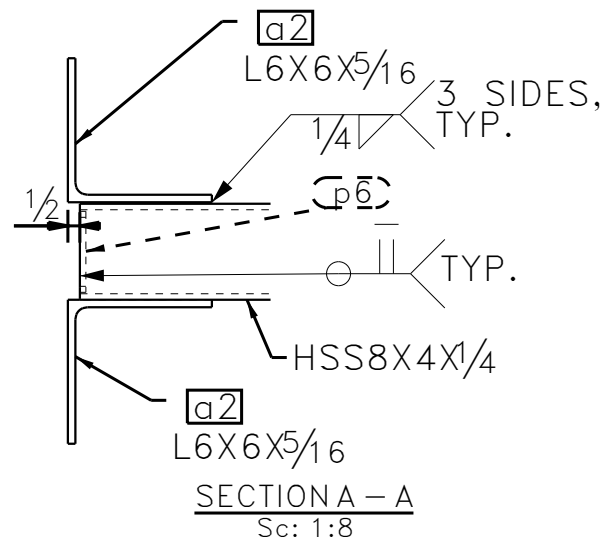
No.	Revision/Issue	Date
0	For Approval	09/21/2021
1	For Approval	10/21/2021

Description
STRINGER

Project Name and Address
TSAROVSKY RESIDENCE
9514 MONTE MAR
LOS ANGELES, CA 90035
KEY PLAN

AZI STEEL
Structural Steel W
19528 VENTURA BLVD. #203
TARZANA, CA 91356
Ph: (818) 390-8904
Fax: azisteel@gmail.com

Project	18022
Date	09/21/2021
Scale	NONE
Drawn	A.Y.
Checked	A.Y.
Filename	STG4



ASSEMBLE BILL OF MATERIAL FOR - STG5 - (1)REQ'D

MARK	QTY	PROFILE	LENGTH	WEIGHT	GRADE
STG5	1	STRINGER			
hss1	1	HSS8X4X1/4	4'-5 3/16"	79.04	A500-GR.B
a2	3	L6X6X5/16	0'-6"	18.73	A36
hss3	1	HSS8X4X1/4	1'-10"	32.69	A500-GR.B
p2	4	PL3/8"X3"	0'-4 3/4"	6.08	A36
p3	1	PL1/2"X10"	0'-11"	15.64	A36
p6	1	PL1/4"X3 3/8"	0'-7 3/8"	1.76	A36
p9	1	PL1/4"X3 1/16"	0'-3 3/8"	0.73	A36
p12	4	PL3/8"X5 1/2"	0'-9 7/16"	21.76	A36
TOTAL WEIGHT THIS DRAWING				176.45	

No.	Revision/Issue	Date
0	For Approval	09.21.2021
1	For Approval	10.21.2021

Description
STRINGER

Project Name and Address
TSAROVSKY RESIDENCE
9514 MONTE MAR
LOS ANGELES, CA 90035

KEY PLAN

AZI STEEL
Structural Steel W
19528 VENTURA BLVD. #203
TARZANA, CA 91356
Ph: (818) 390-8904
Fax: azisteel@gmail.com

Project 18022

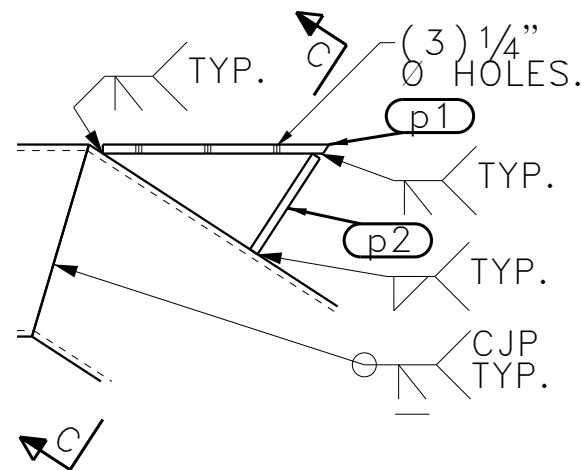
Date 09/21/2021

Scale NONE

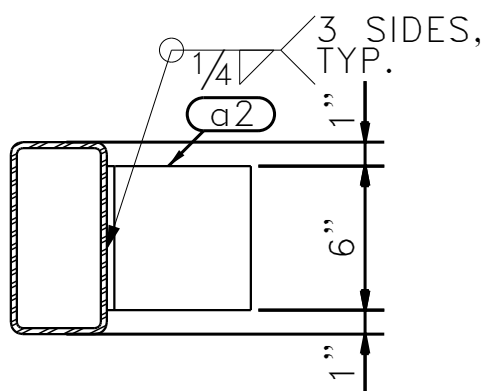
Drawn A.Y.

Checked A.Y.

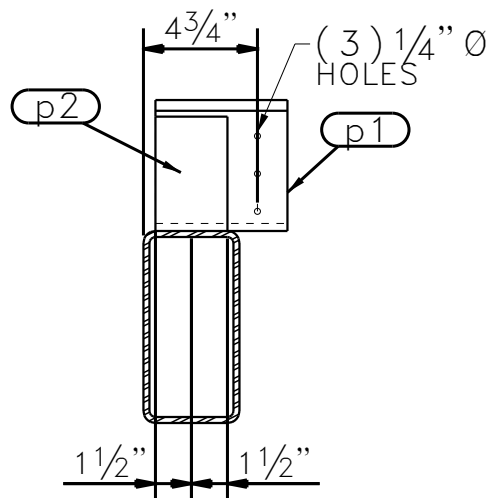
Filename STG5



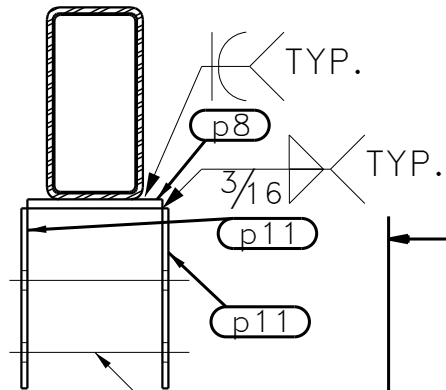
DETAIL A
Sc: 1:8



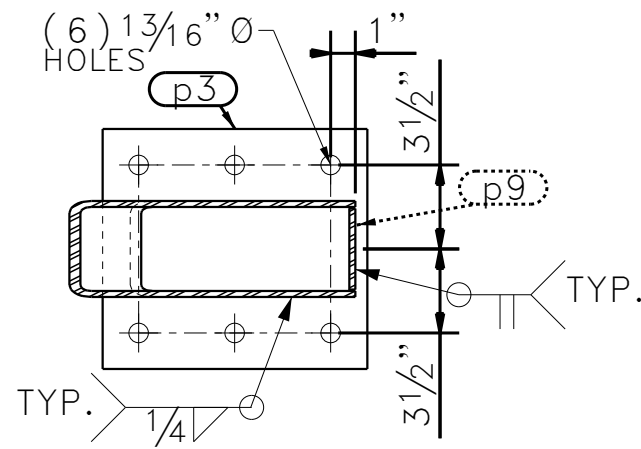
SECTION B - B
Sc: 1:8



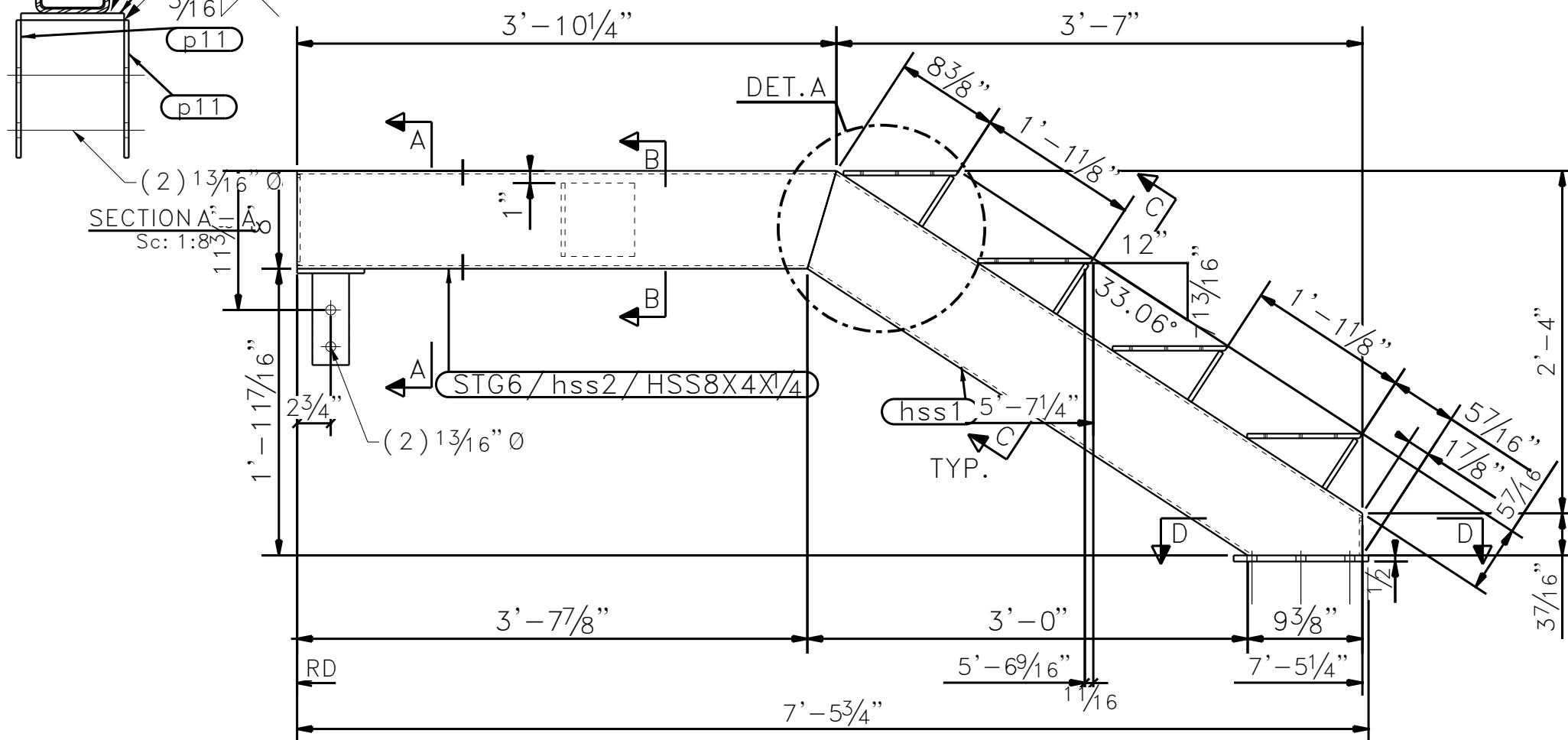
SECTION C - C
Sc: 1:8



SECTION A - A
Sc: 1:8



SECTION D - D
Sc: 1:8



MAIN VIEW
Sc: 1:12

ASSEMBLY BILL OF MATERIAL FOR - STG6 - (1)REQ'D					
MARK	QTY	PROFILE	LENGTH	WEIGHT	GRADE
STG6	1	STRINGER			
hss2	1	HSS8X4X1/4	3'-10 1/4"	68.71	A500-GR.B
a2	1	L6X6X5/16	0'-6"	6.24	A36
hss1	1	HSS8X4X1/4	4'-5 3/16"	79.04	A500-GR.B
p1	4	PL3/8"X5 1/2"	0'-9 7/16"	21.76	A36
p2	4	PL3/8"X3"	0'-4 3/4"	6.08	A36
p3	1	PL1/2"X10"	0'-11"	15.64	A36
p6	1	PL1/4"X3 3/8"	0'-7 3/8"	1.76	A36
p8	1	PL3/8"X5 1/2"	0'-5 5/8"	3.29	A572-GR.50
p9	1	PL1/4"X3 1/16"	0'-3 3/8"	0.73	A36
p11	2	PL1/4"X3"	0'-7 1/2"	3.19	A572-GR.50
TOTAL WEIGHT THIS DRAWING				206.46	

No.	Revision/Issue	Date
0	For Approval	09/21/2021
1	For Approval	10/21/2021

Description
STRINGER

Project Name and Address
TSAROVSKY RESIDENCE
9514 MONTE MAR
LOS ANGELES, CA 90035
KEY PLAN

AZI STEEL
Structural Steel W
19528 VENTURA BLVD. #203
TARZANA, CA 91356
Ph: (818) 390-8904
Fax: azisteel@gmail.com

Project 18022

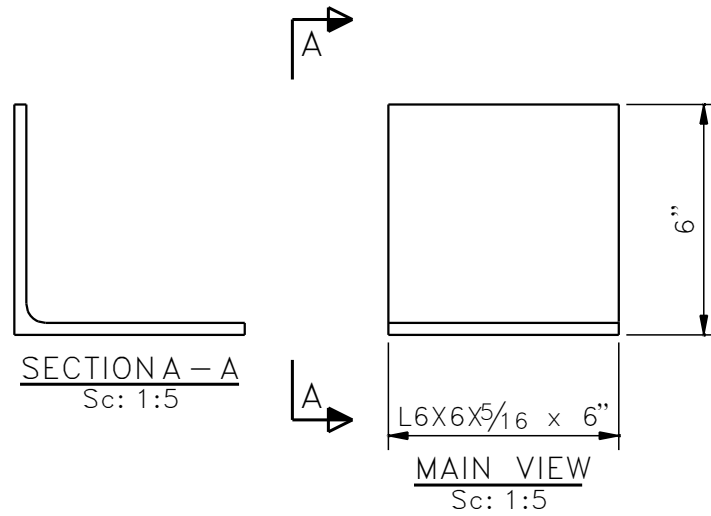
Date 09/21/2021

Scale NONE

Drawn A.Y.

Checked A.Y.

Filename STG6



No.	Revision/Issue	Date
0	For Approval	09/21/2021
1	For Approval	10/21/2021

Description
ANGLE

Project Name and Address
TSAROVSKY RESIDENCE
 9514 MONTE MAR
 LOS ANGELES, CA 90035
 KEY PLAN

AZI STEEL
 Structural Steel W
 19528 VENTURA BLVD. #24
 TARZANA, CA 91356
 Ph: (818) 390-8904
 Fax: azisteel@gmail.com

Project 18022

Date 09/21/2021

Scale NONE

Drawn A.Y.

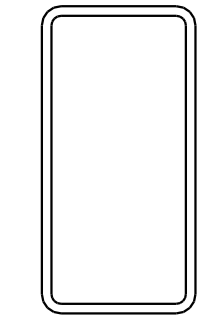
Checked A.Y.

Filename

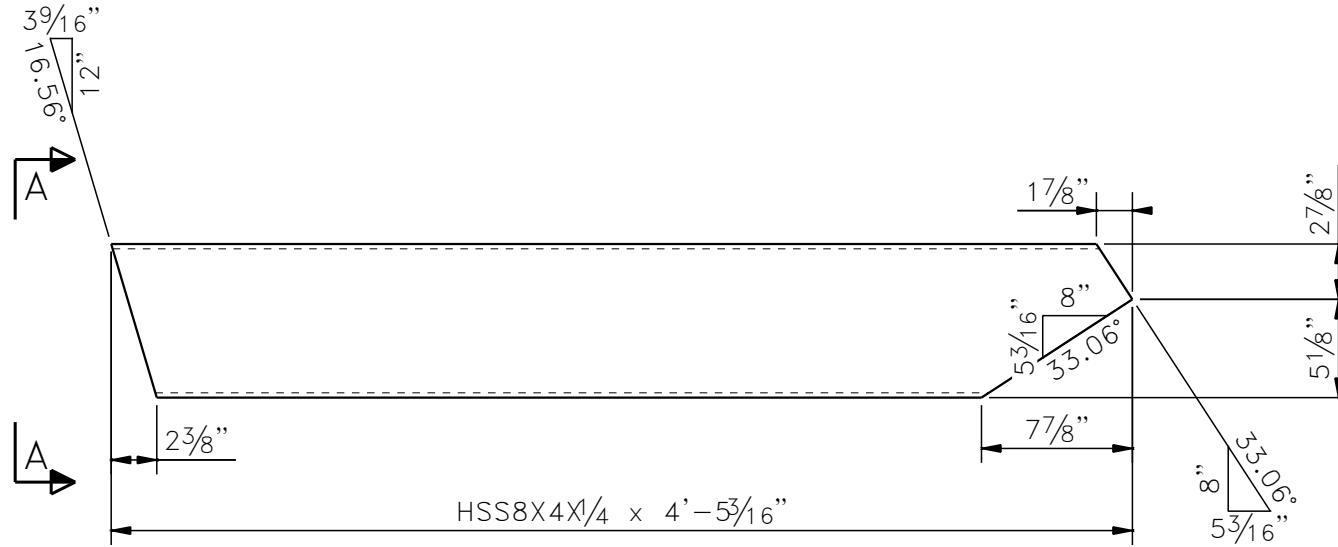
a2

2	AN1
3	STG4
3	STG5
1	STG6
QTY	IN ASSEMBLY

PART'S - a2 - (9)REQ'D						
MARK	PROFILE	GRADE	QTY	LENGTH	WEIGHT (LBS)	WEIGHT TOTAL
a2	L6X6X5/16	A36	9	0'-6"	6.24	56.20



SECTION A - A
Sc: 1:5



MAIN VIEW
Sc: 1:10

HSS8X4X1/4 x 4'-5 3/16"

No.	Revision/Issue	Date
1	For Approval	10.21.2021

Description
STRINGER

Project Name and Address
TSAROVSKY RESIDENCE
9514 MONTE MAR
LOS ANGELES, CA 90035
KEY PLAN

AZI STEEL
Structural Steel W
19528 VENTURA BLVD. #2
TARZANA, CA 91356
Ph: (818) 390-8904
Fax: azisteel@gmail.com

Project 18022

Date 09/21/2021

Scale NONE

Drawn A.Y.

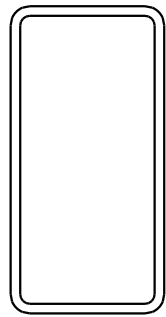
Checked A.Y.

Filename

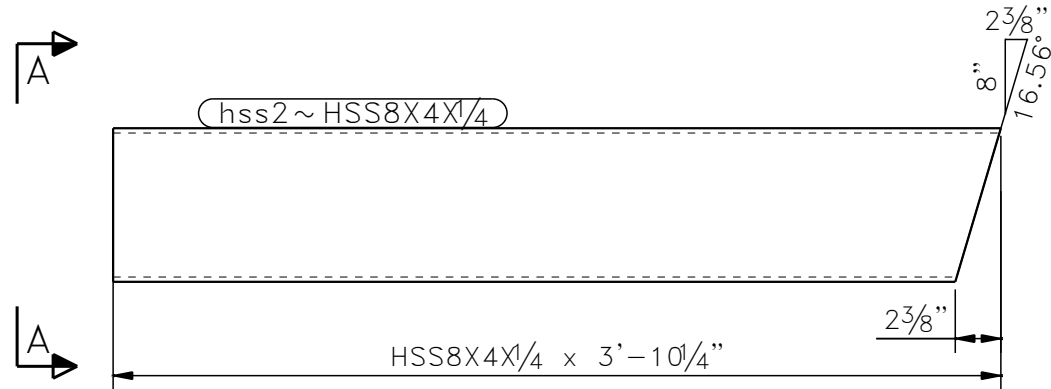
hss1

1	STG5
1	STG6
QTY	IN ASSEMBLY

PART'S - hss1 - (2)REQ'D						
MARK	PROFILE	GRADE	QTY	LENGTH	WEIGHT (LBS)	WEIGHT TOTAL
hss1	HSS8X4X1/4	A500-GR.B	2	4'-5 3/16"	79.04	158.08



SECTION A - A
Sc: 1:5



MAIN VIEW
Sc: 1:10

No.	Revision/Issue	Date
1	For Approval	10.21.2021

Description
STRINGER

Project Name and Address
TSAROVSKY RESIDENCE
9514 MONTE MAR
LOS ANGELES, CA 90035
KEY PLAN

AZI STEEL
Structural Steel W
19528 VENTURA BLVD. #2
TARZANA, CA 91356
Ph: (818) 390-8904
Fax: azisteel@gmail.com

Project 18022

Date 09/21/2021

Scale NONE

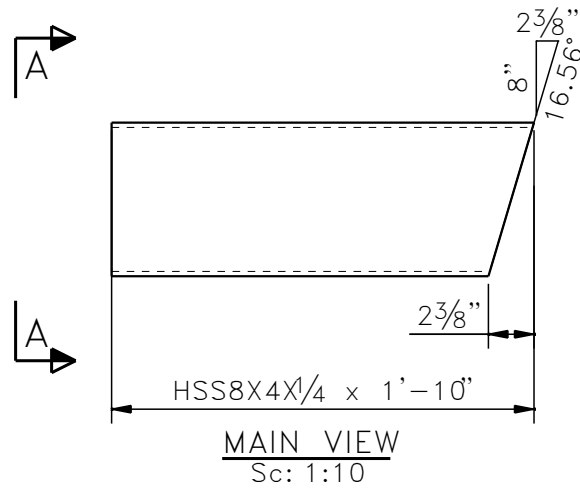
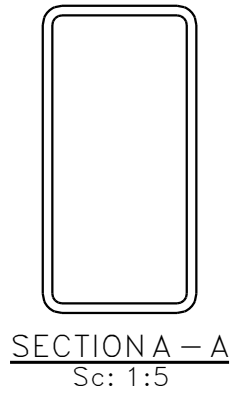
Drawn A.Y.

Checked A.Y.

Filename hss2

1	STG6
QTY	IN ASSEMBLY

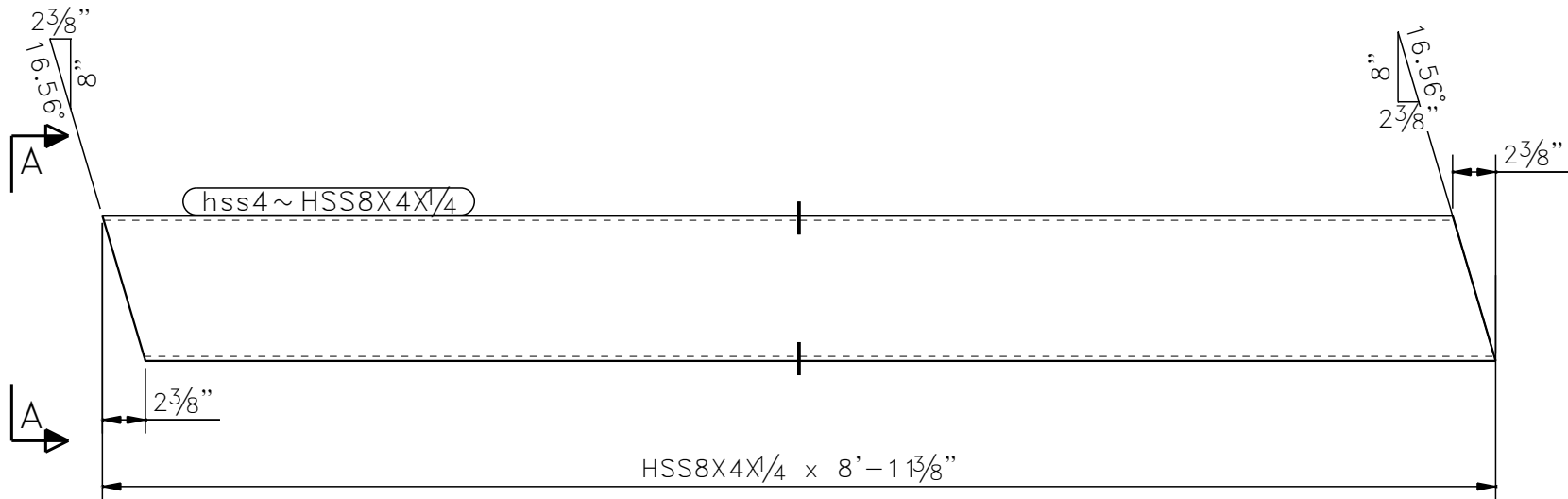
PART'S - hss2 - (1)REQ'D						
MARK	PROFILE	GRADE	QTY	LENGTH	WEIGHT (LBS)	WEIGHT TOTAL
hss2	HSS8X4X1/4	A500-GR.B	1	3'-10 1/4"	68.71	68.71



1	STG4
1	STG5
QTY	IN ASSEMBLY

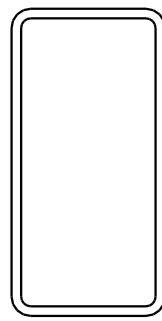
PART'S - hss3 - (2)REQ'D						
MARK	PROFILE	GRADE	QTY	LENGTH	WEIGHT (LBS)	WEIGHT TOTAL
hss3	HSS8X4X1/4	A500-GR.B	2	1'-10"	32.69	65.39

Project Name and Address TSAROVSKY RESIDENCE 9514 MONTE MAR LOS ANGELES, CA 90035		Description STRINGER	
AZI STEEL Structural Steel W 19528 VENTURA BLVD. #2 TARZANA, CA 91356 Ph: (818) 390-8904 Fax: azisteel@gmail.com		KEY PLAN	
Project	18022	Date	09/21/2021
Scale	NONE	Drawn	A.Y.
Checked	A.Y.	Revision/Issue	
Filename hss3		No.	1
		For Approval	
		Date	10.21.2021



HSS8X4X1/4 x 8'-1 13/8"

MAIN VIEW
Sc: 1:10

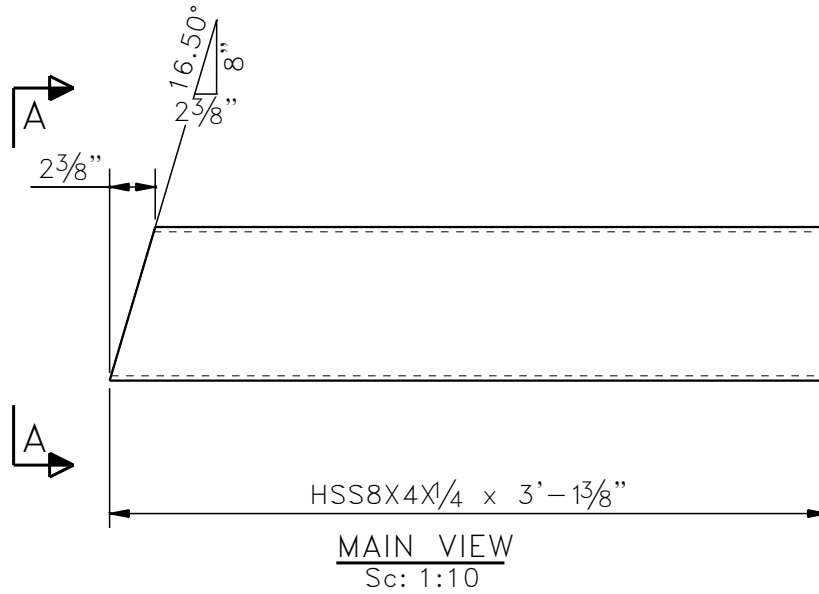
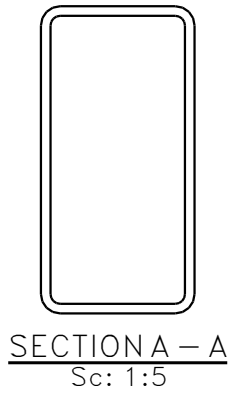


SECTION A - A
Sc: 1:5

1	STG3
QTY	IN ASSEMBLY

PART'S - hss4 - (1)REQ'D						
MARK	PROFILE	GRADE	QTY	LENGTH	WEIGHT (LBS)	WEIGHT TOTAL
hss4	HSS8X4X1/4	A500-GR.B	1	8'-11 3/8"	159.57	159.57

Project Name and Address		Description		Revision/Issue		Date	
TSAROVSKY RESIDENCE		STRINGER		1 For Approval		10.21.2021	
9514 MONTE MAR LOS ANGELES, CA 90035							
AZI STEEL Structural Steel W 19528 VENTURA BLVD. #2 TARZANA, CA 91356 Ph: (818) 390-8904 Fax: azisteel@gmail.com							
Project 18022							
Date 09/21/2021							
Scale NONE							
Drawn A.Y.							
Checked A.Y.							
Filename hss4							
KEY PLAN							



No.	Revision/Issue	Date
1	For Approval	10.21.2021

Description
STRINGER

Project Name and Address
TSAROVSKY RESIDENCE
9514 MONTE MAR
LOS ANGELES, CA 90035
KEY PLAN

AZI STEEL
Structural Steel W
19528 VENTURA BLVD. #2
TARZANA, CA 91356
Ph: (818) 390-8904
Fax: azisteel@gmail.com

Project 18022

Date 09/21/2021

Scale NONE

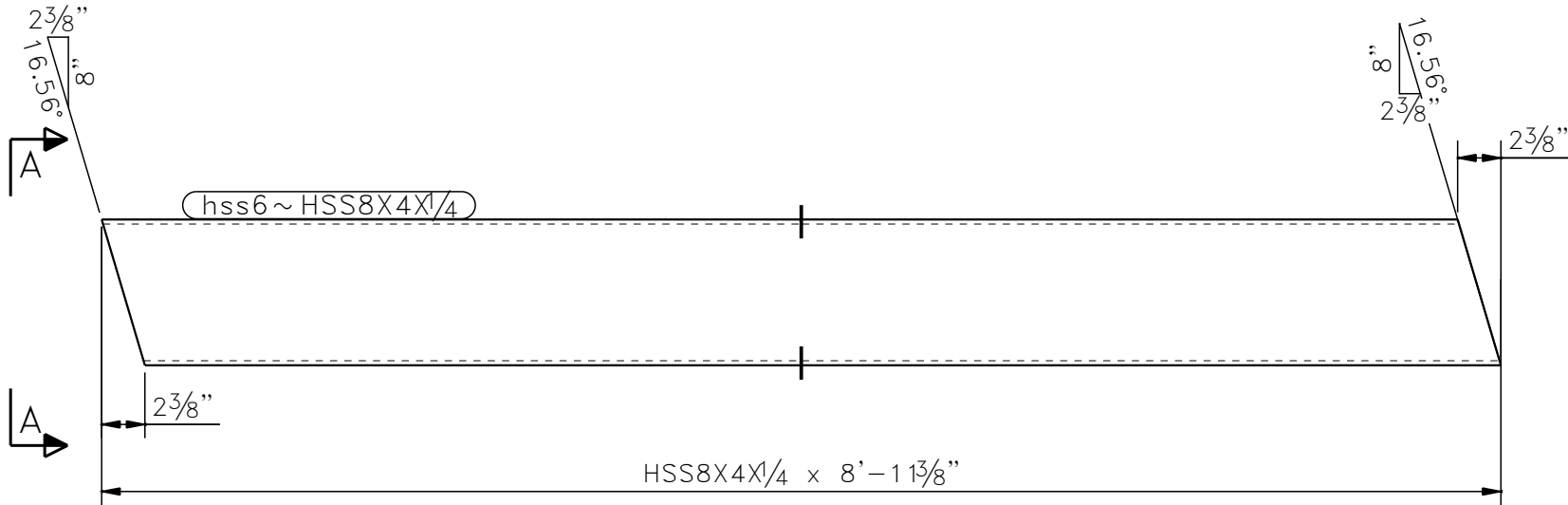
Drawn A.Y.

Checked A.Y.

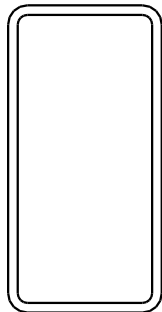
Filename hss5

PART'S - hss5 - (1)REQ'D						
MARK	PROFILE	GRADE	QTY	LENGTH	WEIGHT (LBS)	WEIGHT TOTAL
hss5	HSS8X4X1/4	A500-GR.B	1	3'-1 3/8"	55.54	55.54

1	STG3
QTY	IN ASSEMBLY



MAIN VIEW
Sc: 1:10



SECTION A - A
Sc: 1:5

No.	Revision/Issue	Date
1	For Approval	10.21.2021

Description
STRINGER

Project Name and Address
TSAROVSKY RESIDENCE
9514 MONTE MAR
LOS ANGELES, CA 90035
KEY PLAN

AZI STEEL
Structural Steel W
19528 VENTURA BLVD. #2
TARZANA, CA 91356
Ph: (818) 390-8904
Fax: azisteel@gmail.com

Project 18022

Date 09/21/2021

Scale NONE

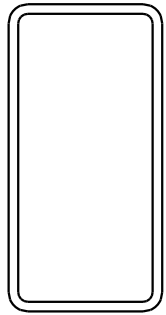
Drawn A.Y.

Checked A.Y.

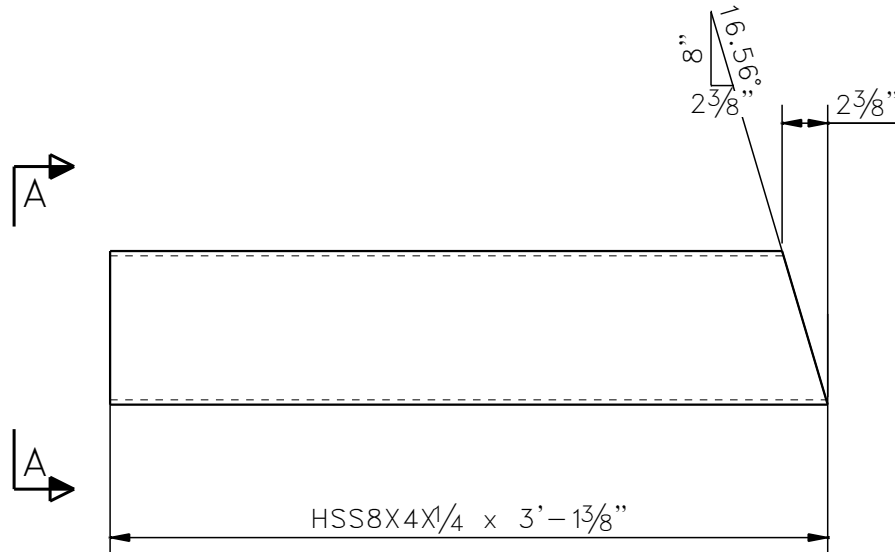
Filename hss6

1	STG4
QTY	IN ASSEMBLY

PART'S - hss6 - (1)REQ'D						
MARK	PROFILE	GRADE	QTY	LENGTH	WEIGHT (LBS)	WEIGHT TOTAL
hss6	HSS8X4X1/4	A500-GR.B	1	8'-11 3/8"	159.57	159.57



SECTION A - A
Sc: 1:5



MAIN VIEW
Sc: 1:10

HSS8X4X1/4 x 3'-1 3/8"

8"
2 3/8"
1.6"
5.6"
2 3/8"

1	STG1
QTY	IN ASSEMBLY

PART'S - hss8 - (1)REQ'D						
MARK	PROFILE	GRADE	QTY	LENGTH	WEIGHT (LBS)	WEIGHT TOTAL
hss8	HSS8X4X1/4	A500-GR.B	1	3'-1 3/8"	55.54	55.54

No.	Revision/Issue	Date
1	For Approval	10.21.2021

Description
STRINGER

Project Name and Address
TSAROVSKY RESIDENCE
9514 MONTE MAR
LOS ANGELES, CA 90035
KEY PLAN

AZI STEEL
Structural Steel W
19528 VENTURA BLVD. #2
TARZANA, CA 91356
Ph: (818) 390-8904
Fax: azisteel@gmail.com

Project 18022

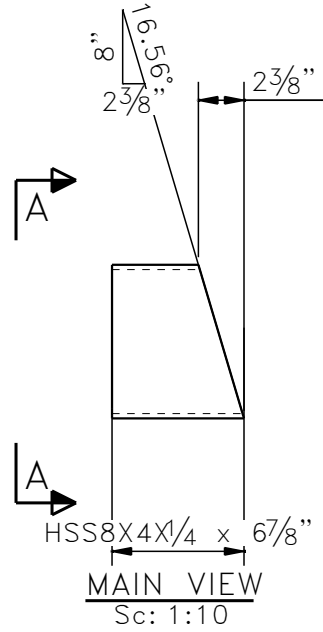
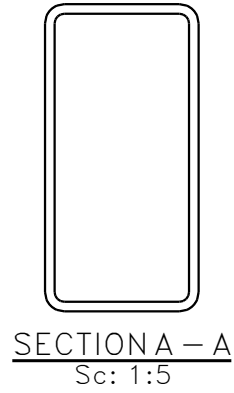
Date 09/21/2021

Scale NONE

Drawn A.Y.

Checked A.Y.

Filename
hss8



No.	Revision/Issue	Date
1	For Approval	10.21.2021

Description
STRINGER

Project Name and Address
TSAROVSKY RESIDENCE
9514 MONTE MAR
LOS ANGELES, CA 90035

KEY PLAN

AZI STEEL
Structural Steel W
19528 VENTURA BLVD. #2
TARZANA, CA 91356
Ph: (818) 390-8904
Fax: azisteel@gmail.com

Project 18022
Date 09/21/2021
Scale NONE
Drawn A.Y.
Checked A.Y.

Filename
hss9

1	STG2
1	STG4
QTY	IN ASSEMBLY

PART'S - hss9 - (2)REQ'D						
MARK	PROFILE	GRADE	QTY	LENGTH	WEIGHT (LBS)	WEIGHT TOTAL
hss9	HSS8x4x1/4	A500-GR.B	2	0'-6 7/8"	10.21	20.43

No.	Revision/Issue	Date
1	For Approval	10.21.2021

Description
STRINGER

Project Name and Address
TSAROVSKY RESIDENCE
9514 MONTE MAR
LOS ANGELES, CA 90035
KEY PLAN

AZI STEEL
Structural Steel W
19528 VENTURA BLVD. #2
TARZANA, CA 91356
Ph: (818) 390-8904
Fax: azisteel@gmail.com

Project 18022

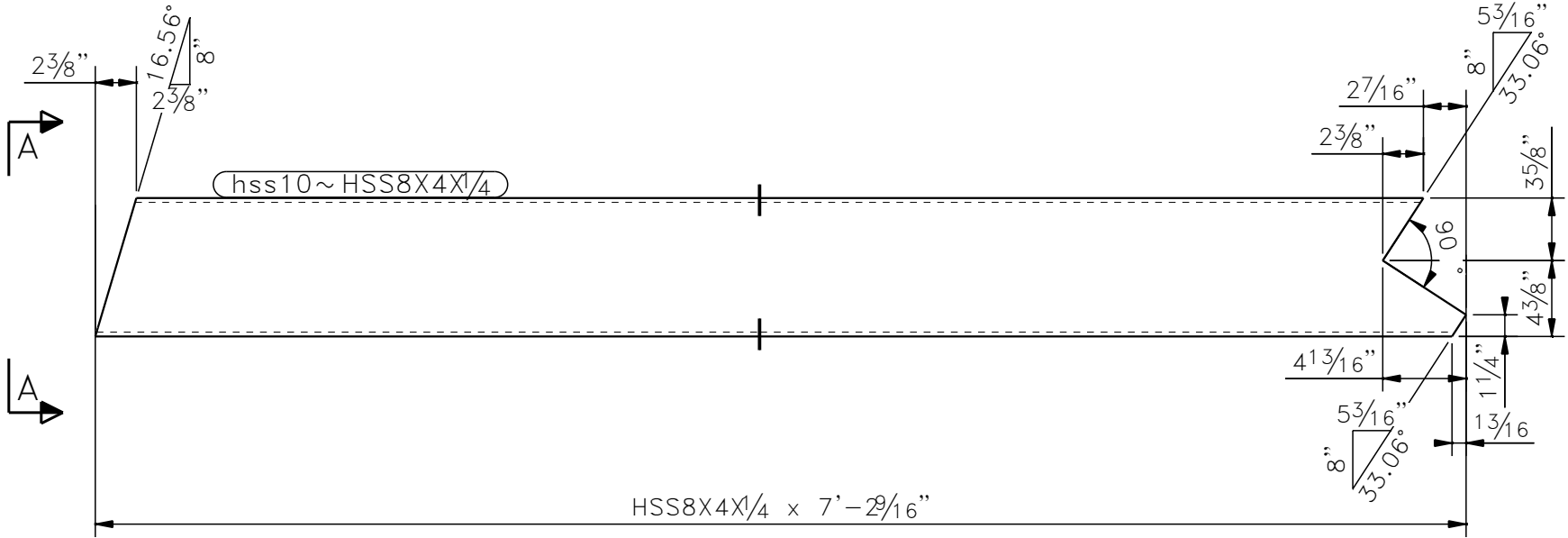
Date 09/21/2021

Scale NONE

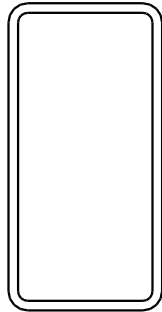
Drawn A.Y.

Checked A.Y.

Filename hss10



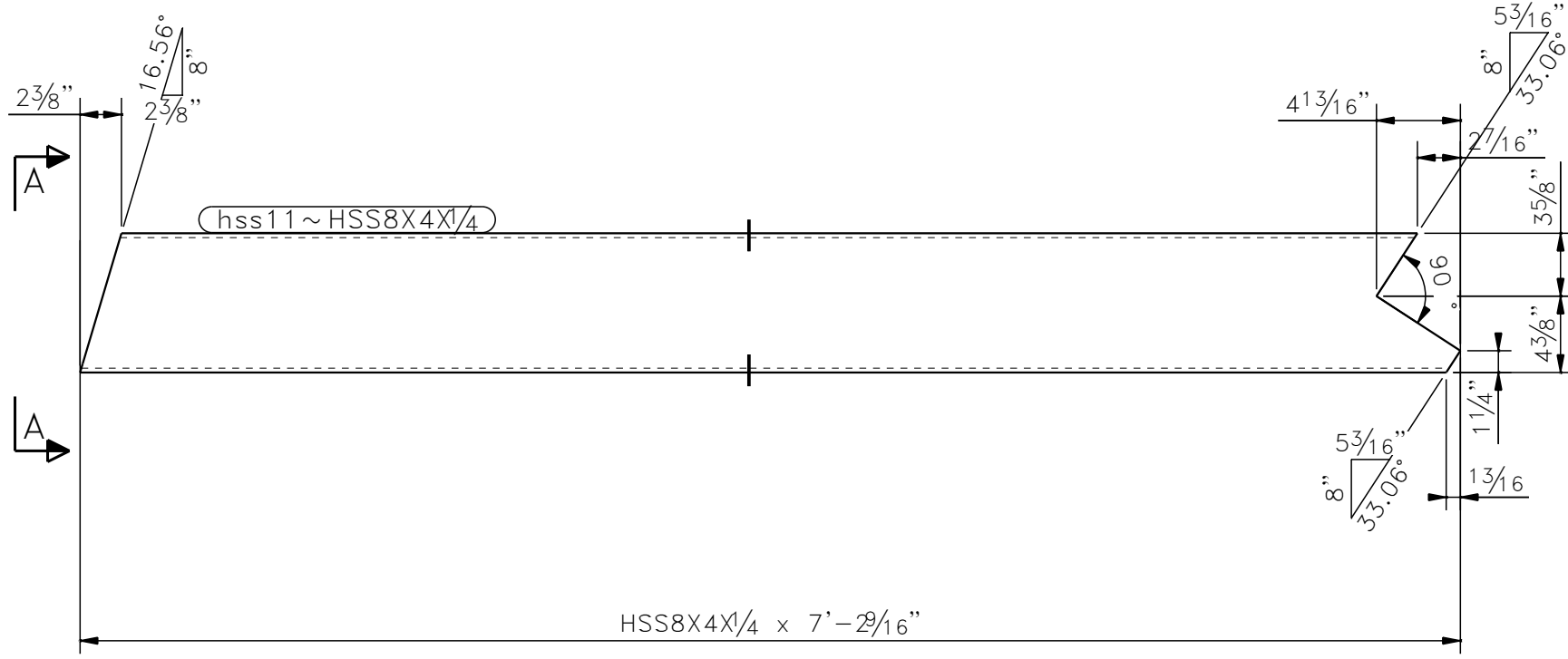
MAIN VIEW
Sc: 1:10



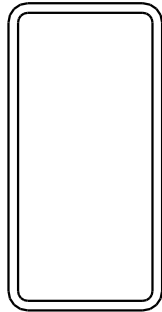
SECTION A - A
Sc: 1:5

1	STG2
QTY	IN ASSEMBLY

PART'S - hss10 - (1)REQ'D						
MARK	PROFILE	GRADE	QTY	LENGTH	WEIGHT (LBS)	WEIGHT TOTAL
hss10	HSS8X4X1/4	A500-GR.B	1	7'-2 9/16"	128.67	128.67



HSS8X4X1/4 x 7'-2 9/16"
MAIN VIEW
 Sc: 1:10



SECTION A - A
 Sc: 1:5

1	STG1
QTY	IN ASSEMBLY

PART'S - hss11 - (1)REQ'D						
MARK	PROFILE	GRADE	QTY	LENGTH	WEIGHT (LBS)	WEIGHT TOTAL
hss11	HSS8X4X1/4	A500-GR.B	1	7'-2 9/16"	128.67	128.67

No.	Revision/Issue	Date
1	For Approval	10.21.2021

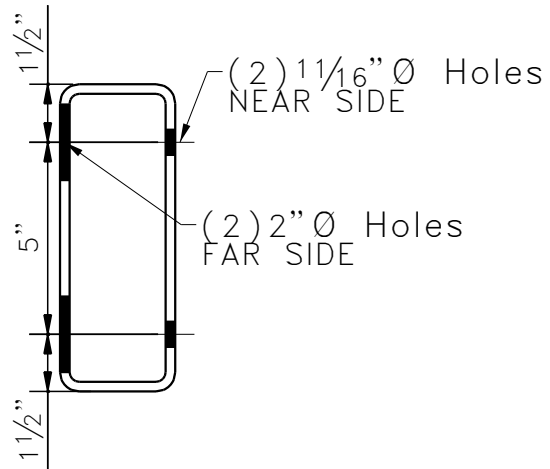
Description
STRINGER

Project Name and Address
TSAROVSKY RESIDENCE
 9514 MONTE MAR
 LOS ANGELES, CA 90035
 KEY PLAN

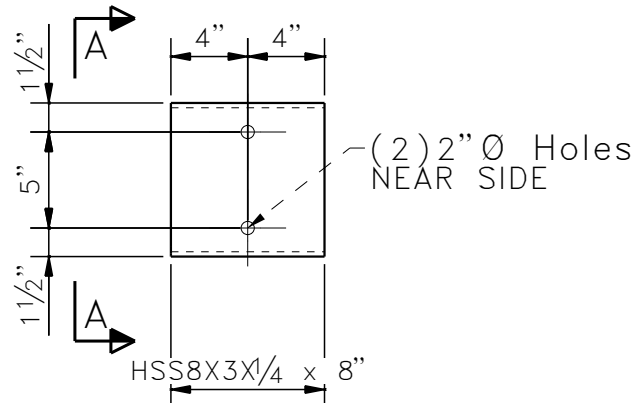
AZI STEEL
 Structural Steel W
 19528 VENTURA BLVD. #2
 TARZANA, CA 91356
 Ph: (818) 390-8904
 Fax: azisteel@gmail.com

Project 18022
 Date 09/21/2021
 Scale NONE
 Drawn A.Y.
 Checked A.Y.

Filename
hss11



SECTION A - A
Sc: 1:5



MAIN VIEW
Sc: 1:10

1	STG3
QTY	IN ASSEMBLY

PART'S - hss12 - (1)REQ'D						
MARK	PROFILE	GRADE	QTY	LENGTH	WEIGHT (LBS)	WEIGHT TOTAL
hss12	HSS8X3X1/4	A500-GR.B	1	0'-8"	10.82	10.82

No.	Revision/Issue	Date
1	For Approval	10.21.2021

Description
STRINGER

Project Name and Address
TSAROVSKY RESIDENCE
9514 MONTE MAR
LOS ANGELES, CA 90035

KEY PLAN

AZI STEEL
Structural Steel W
19528 VENTURA BLVD. #2
TARZANA, CA 91356
Ph: (818) 390-8904
Fax: azisteel@gmail.com

Project 18022

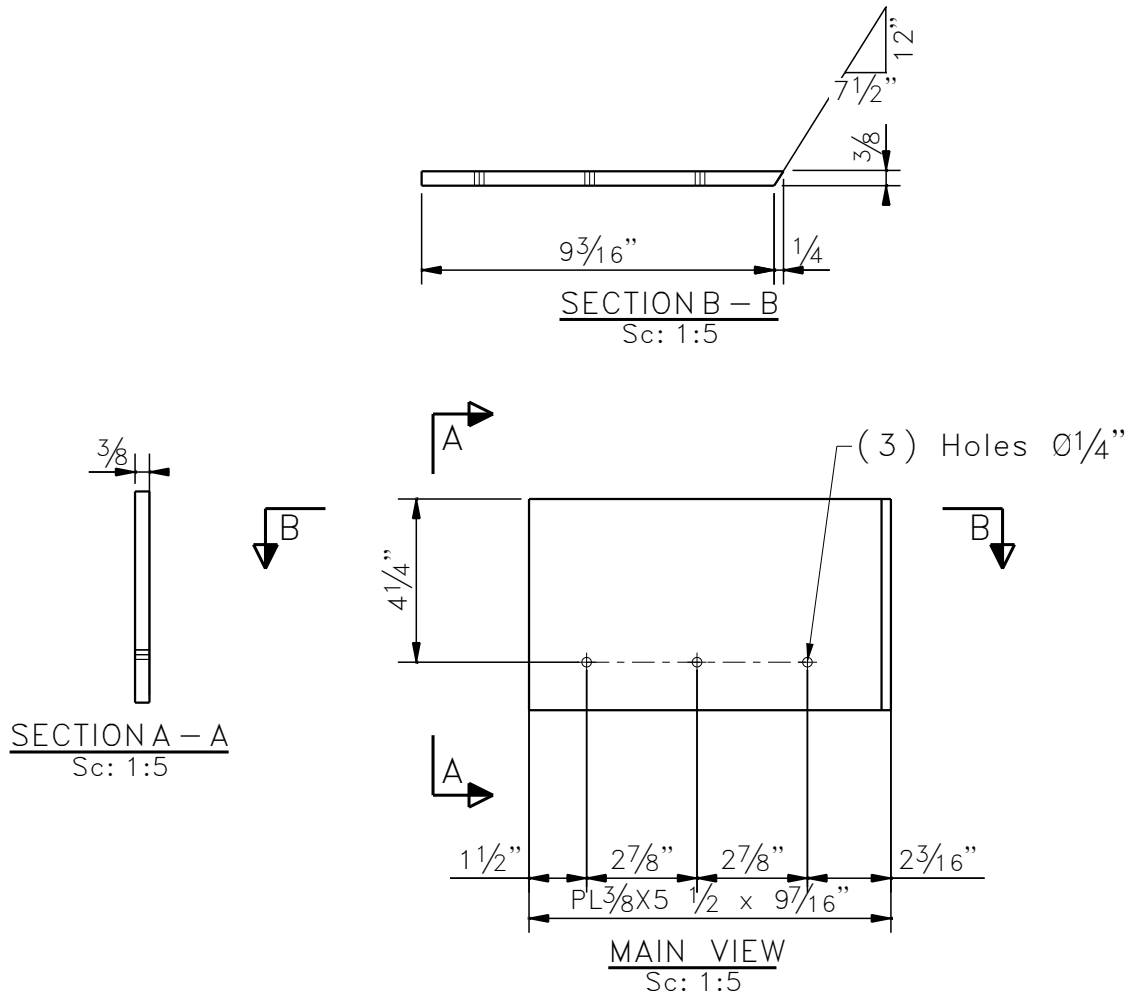
Date 09/21/2021

Scale NONE

Drawn A.Y.

Checked A.Y.

Filename hss12



No.	Revision/Issue	Date
0	For Approval	09/21/2021
1	For Approval	10/21/2021

Description
PLATE

Project Name and Address
TSAROVSKY RESIDENCE
 9514 MONTE MAR
 LOS ANGELES, CA 90035
 KEY PLAN

AZI STEEL
 Structural Steel W
 19528 VENTURA BLVD. #24
 TARZANA, CA 91356
 Ph: (818) 390-8904
 Fax: azisteel@gmail.com

Project 18022

Date 09/21/2021

Scale NONE

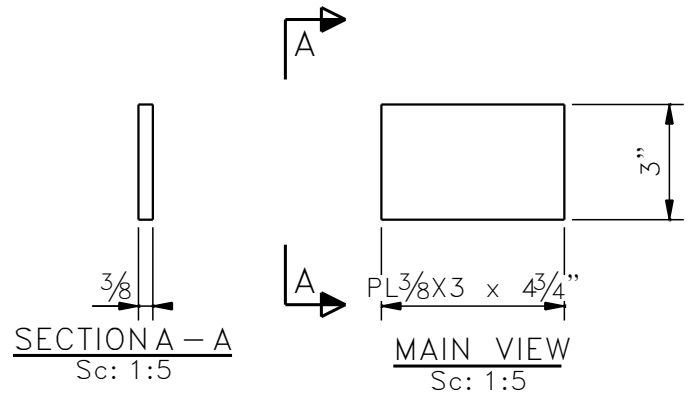
Drawn A.Y.

Checked A.Y.

Filename
 p1

6	STG1
8	STG3
4	STG6
QTY	IN ASSEMBLY

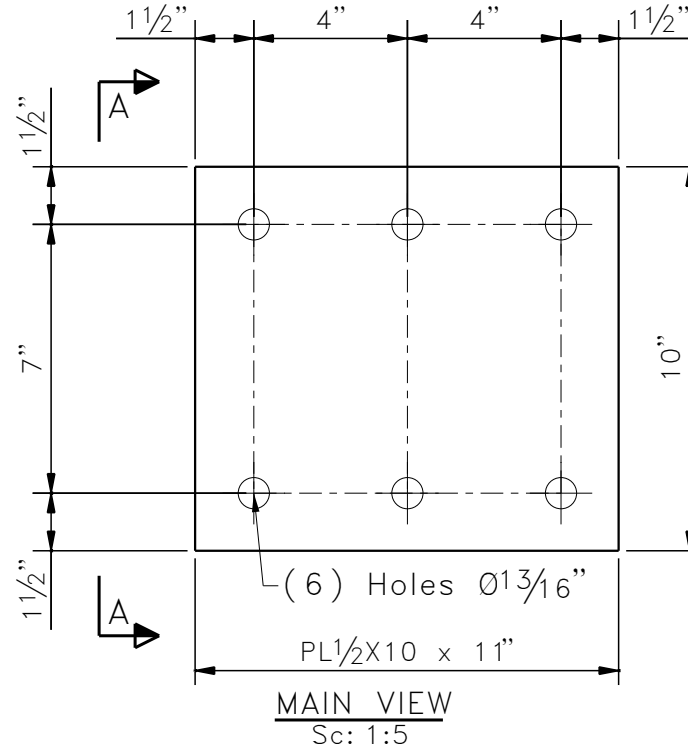
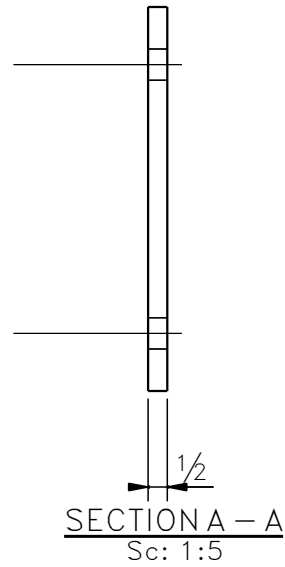
PART'S - p1 - (18)REQ'D						
MARK	PROFILE	GRADE	QTY	LENGTH	WEIGHT (LBS)	WEIGHT TOTAL
p1	PL 3/8" X 5 1/2"	A36	18	0'-9 7/16"	5.44	97.94



6	STG1
6	STG2
8	STG3
8	STG4
4	STG5
4	STG6
QTY	IN ASSEMBLY

PART'S - p2 - (36)REQ'D						
MARK	PROFILE	GRADE	QTY	LENGTH	WEIGHT (LBS)	WEIGHT TOTAL
p2	PL $\frac{3}{8}$ " X 3"	A36	36	0'-4 3/4"	1.52	54.73

Project Name and Address TSAROVSKY RESIDENCE 9514 MONTE MAR LOS ANGELES, CA 90035		Description PLATE		No.	Revision/Issue	Date	
KEY PLAN		AZI STEEL Structural Steel W 19528 VENTURA BLVD. #24 TARZANA, CA 91356 Ph: (818) 390-8904 Fax: azisteel@gmail.com		0	For Approval	09/21/2021	
				1	For Approval	10/21/2021	
Project		Date		Scale		Drawn	
18022		09/21/2021		NONE		A.Y.	
Checked		A.Y.		Filename		p2	



No.	Revision/Issue	Date
0	For Approval	09/21/2021
1	For Approval	10/21/2021

Description
PLATE

Project Name and Address
TSAROVSKY RESIDENCE
9514 MONTE MAR
LOS ANGELES, CA 90035
KEY PLAN

AZI STEEL
Structural Steel W
19528 VENTURA BLVD. #24
TARZANA, CA 91356
Ph: (818) 390-8904
Fax: azisteel@gmail.com

Project 18022

Date 09/21/2021

Scale NONE

Drawn A.Y.

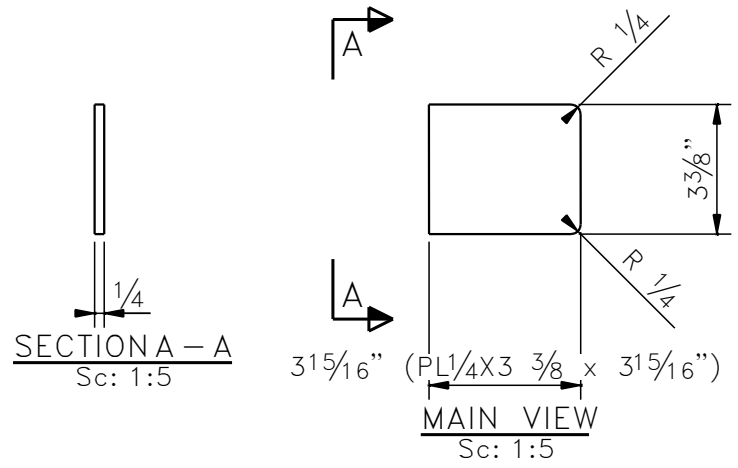
Checked A.Y.

Filename

p3

1	STG5
1	STG6
QTY	IN ASSEMBLY

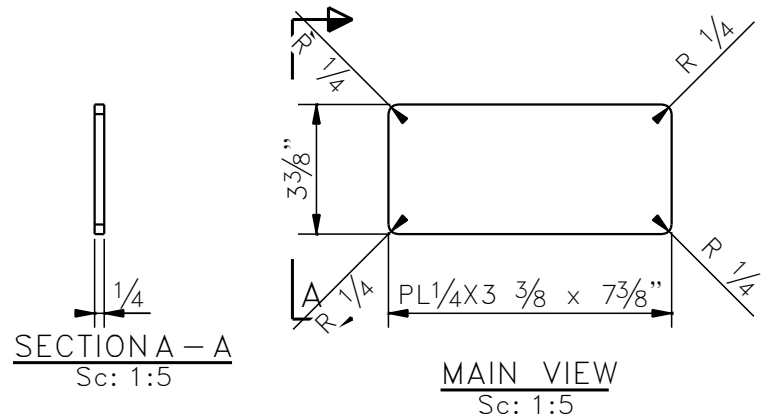
PART'S - p3 - (2)REQ'D						
MARK	PROFILE	GRADE	QTY	LENGTH	WEIGHT (LBS)	WEIGHT TOTAL
p3	PL $1\frac{1}{2}$ " X 10"	A36	2	0'-11"	15.64	31.28



1	STG1
1	STG2
QTY	IN ASSEMBLY

PART'S - p5 - (2)REQ'D						
MARK	PROFILE	GRADE	QTY	LENGTH	WEIGHT (LBS)	WEIGHT TOTAL
p5	PL1/4"X3 3/8"	A36	2	0'-3 15/16"	0.94	1.89

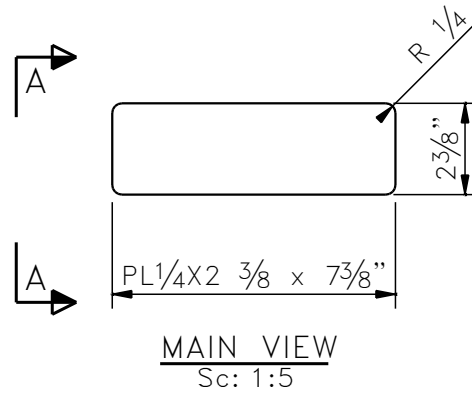
Project Name and Address TSAROVSKY RESIDENCE 9514 MONTE MAR LOS ANGELES, CA 90035		Description PLATE		No.	Revision/Issue	Date
KEY PLAN				0	For Approval	09/21/2021
				1	For Approval	10/27/2021
AZI STEEL Structural Steel W 19528 VENTURA BLVD. #24 TARZANA, CA 91356 Ph: (818) 390-8904 Fax: azisteel@gmail.com		Project		18022		
		Date		09/21/2021		
		Scale		NONE		
		Drawn		A.Y.		
		Checked		A.Y.		
Filename		p5				



1	LP1
1	STG2
2	STG3
2	STG4
1	STG5
1	STG6
QTY	IN ASSEMBLY

PART'S - p6 - (8)REQ'D						
MARK	PROFILE	GRADE	QTY	LENGTH	WEIGHT (LBS)	WEIGHT TOTAL
p6	PL1/4"X3 3/8"	A36	8	0'-7 3/8"	1.76	14.08

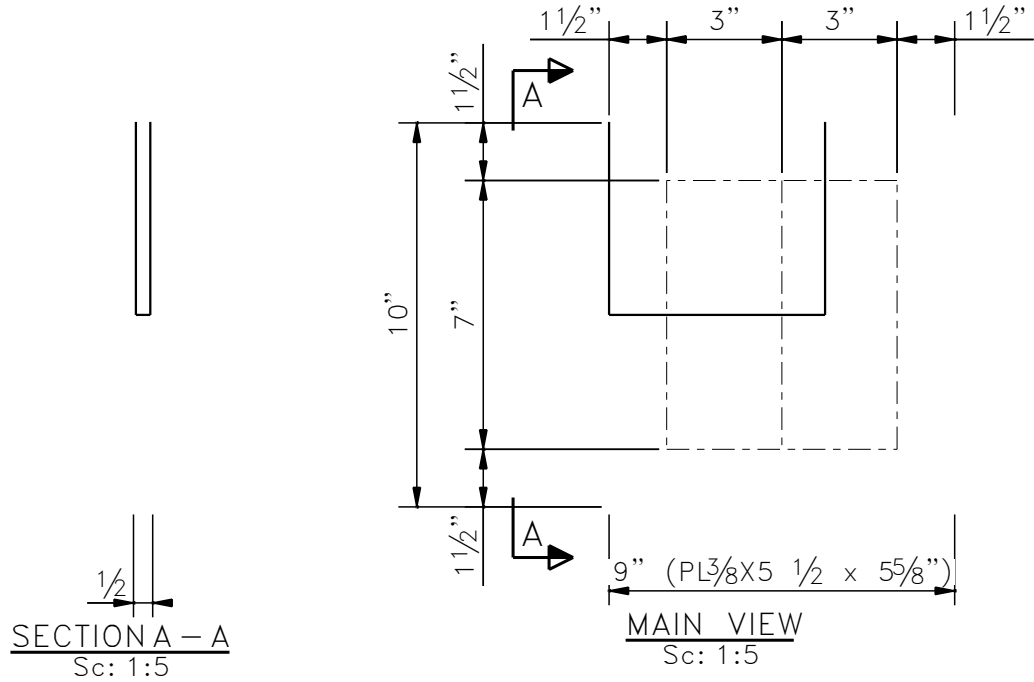
Project Name and Address TSAROVSKY RESIDENCE 9514 MONTE MAR LOS ANGELES, CA 90035		Description PLATE		No.	Revision/Issue	Date	
KEY PLAN		AZI STEEL Structural Steel W 19528 VENTURA BLVD. #24 TARZANA, CA 91356 Ph: (818) 390-8904 Fax: azisteel@gmail.com		0	For Approval	09/21/2021	
				1	For Approval	10/27/2021	
Project		Date		Scale		Drawn	
18022		09/21/2021		NONE		A.Y.	
Checked		A.Y.		Filename		p6	



2	STG3
QTY	IN ASSEMBLY

PART'S - p7 - (2)REQ'D						
MARK	PROFILE	GRADE	QTY	LENGTH	WEIGHT (LBS)	WEIGHT TOTAL
p7	PL 1/4" X 2 3/8"	A36	2	0'-7 3/8"	1.24	2.48

Project Name and Address TSAROVSKY RESIDENCE 9514 MONTE MAR LOS ANGELES, CA 90035		Description PLATE		No.	Revision/Issue	Date
AZI STEEL Structural Steel W 19528 VENTURA BLVD. #24 TARZANA, CA 91356 Ph: (818) 390-8904 Fax: azisteel@gmail.com		KEY PLAN		0	For Approval	09/21/2021
				1	For Approval	10/21/2021
Project 18022		Date 09/21/2021				
Scale NONE		Drawn A.Y.				
Checked A.Y.						
Filename		p7				



SECTION A - A
Sc: 1:5

MAIN VIEW
Sc: 1:5

No.	Revision/Issue	Date
0	For Approval	09/21/2021
1	For Approval	10/21/2021

Description
PLATE

Project Name and Address
TSAROVSKY RESIDENCE
9514 MONTE MAR
LOS ANGELES, CA 90035

KEY PLAN

AZI STEEL
Structural Steel W
19528 VENTURA BLVD. #24
TARZANA, CA 91356
Ph: (818) 390-8904
Fax: azisteel@gmail.com

Project 18022

Date 09/21/2021

Scale NONE

Drawn A.Y.

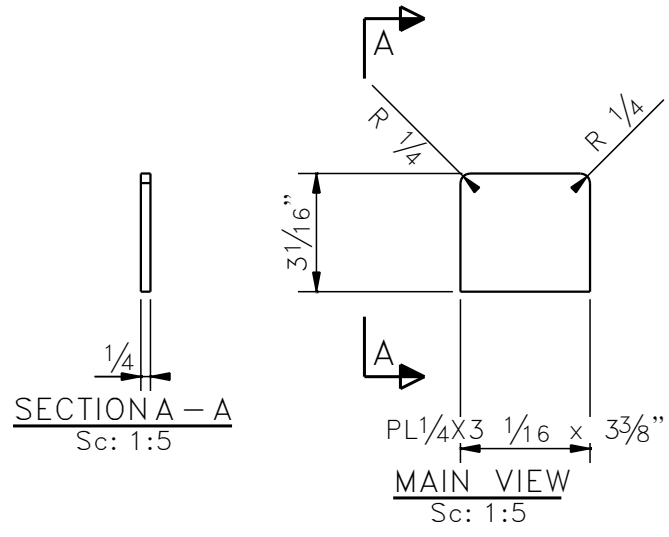
Checked A.Y.

Filename

p8

1	STG6
QTY	IN ASSEMBLY

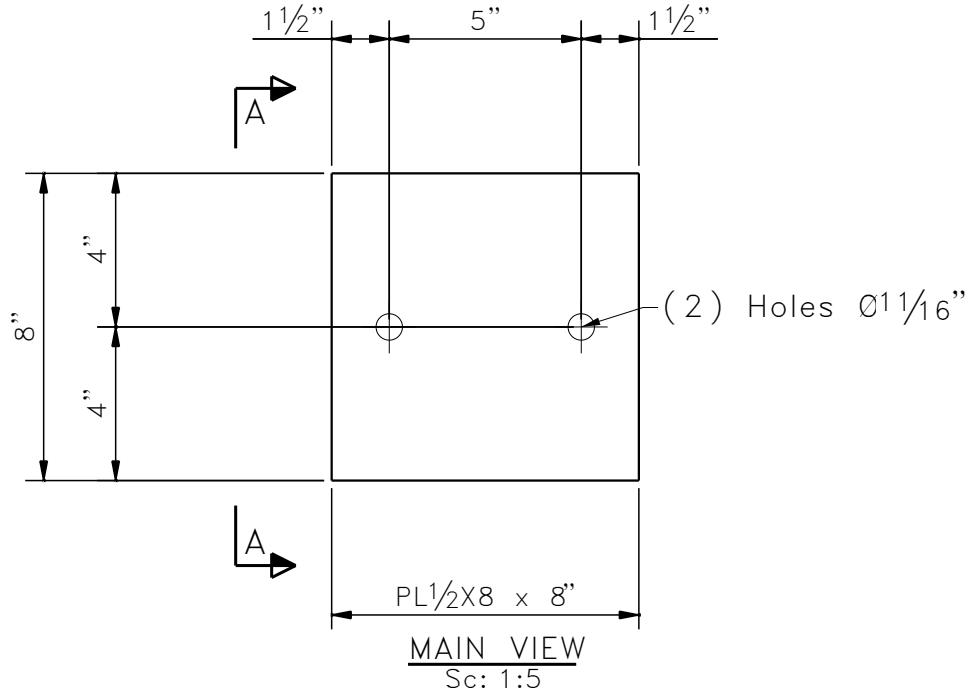
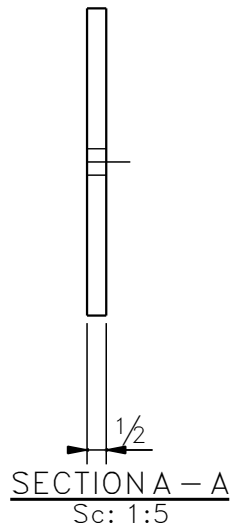
PART'S - p8 - (1)REQ'D						
MARK	PROFILE	GRADE	QTY	LENGTH	WEIGHT (LBS)	WEIGHT TOTAL
p8	PL3/8"X5 1/2"	A572-GR.50	1	0'-5 5/8"	3.29	3.29



1	STG5
1	STG6
QTY	IN ASSEMBLY

PART'S - p9 - (2)REQ'D						
MARK	PROFILE	GRADE	QTY	LENGTH	WEIGHT (LBS)	WEIGHT TOTAL
p9	PL 1/4" X 3 1/16"	A36	2	0'-3 3/8"	0.73	1.47

No.		Revision/Issue		Date	
0	For Approval			09/21/2021	
1	For Approval			10/21/2021	
Description PLATE					
Project Name and Address TSAROVSKY RESIDENCE 9514 MONTE MAR LOS ANGELES, CA 90035					
KEY PLAN					
AZI STEEL Structural Steel W 19528 VENTURA BLVD. #24 TARZANA, CA 91356 Ph: (818) 390-8904 Fax: azisteel@gmail.com					
Project 18022					
Date 09/21/2021					
Scale NONE					
Drawn A.Y.					
Checked A.Y.					
Filename p9					



No.	Revision/Issue	Date
1	For Approval	10/21/2021

Description
PLATE

Project Name and Address
TSAROVSKY RESIDENCE
9514 MONTE MAR
LOS ANGELES, CA 90035
KEY PLAN

AZI STEEL
Structural Steel W
19528 VENTURA BLVD. #24
TARZANA, CA 91356
Ph: (818) 390-8904
Fax: azisteel@gmail.com

Project 18022

Date 09/21/2021

Scale NONE

Drawn A.Y.

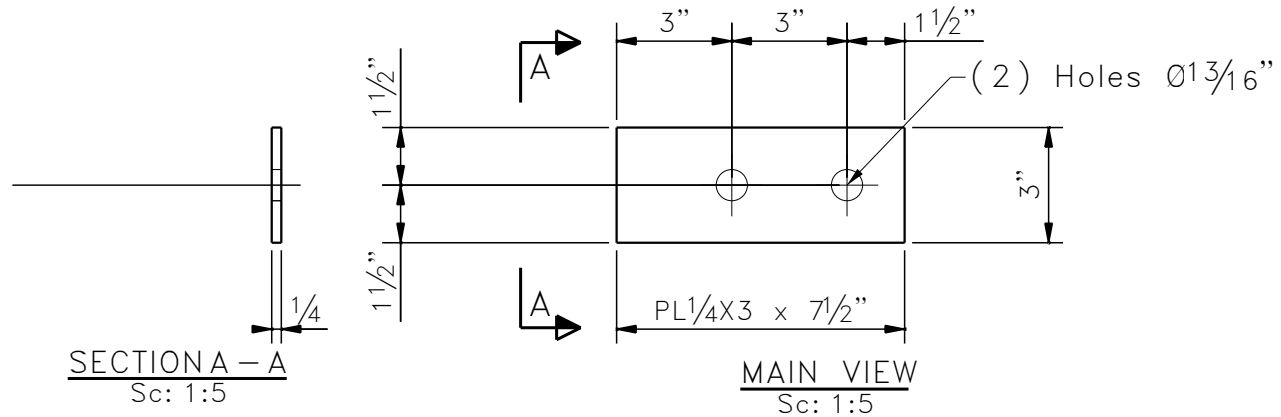
Checked A.Y.

Filename

p10

1	STG3
QTY	IN ASSEMBLY

PART'S - p10 - (1)REQ'D						
MARK	PROFILE	GRADE	QTY	LENGTH	WEIGHT (LBS)	WEIGHT TOTAL
p10	PL 1/2" X 8"	A572-GR.50	1	0'-8"	9.08	9.08



SECTION A - A
Sc: 1:5

MAIN VIEW
Sc: 1:5

No.	Revision/Issue	Date
1	For Approval	10/21/2021

Description
PLATE

Project Name and Address
TSAROVSKY RESIDENCE
9514 MONTE MAR
LOS ANGELES, CA 90035
KEY PLAN

AZI STEEL
Structural Steel W
19528 VENTURA BLVD. #24
TARZANA, CA 91356
Ph: (818) 390-8904
Fax: azisteel@gmail.com

Project 18022

Date 09/21/2021

Scale NONE

Drawn A.Y.

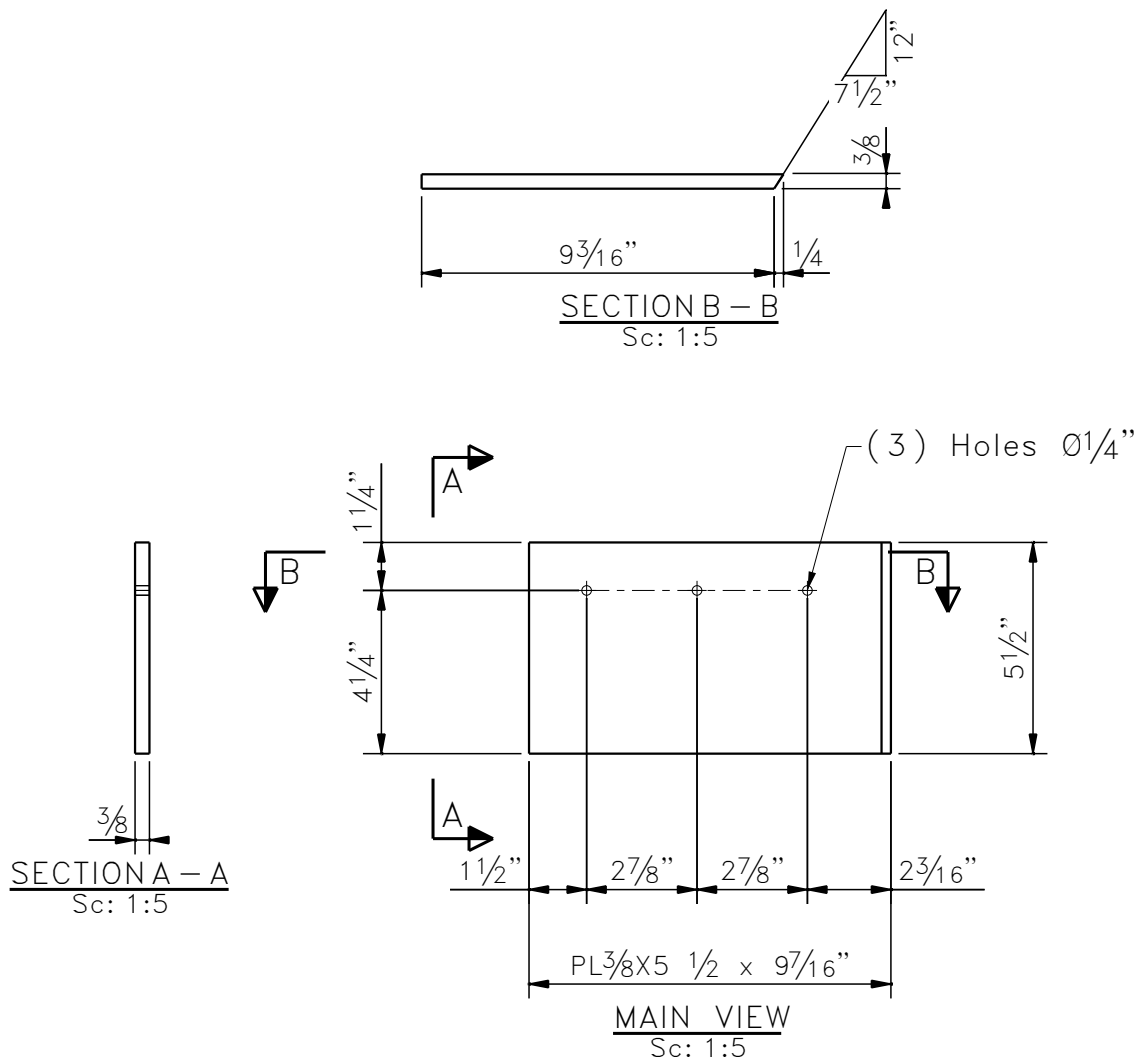
Checked A.Y.

Filename

p11

2	STG6
QTY	IN ASSEMBLY

PART'S - p11 - (2)REQ'D						
MARK	PROFILE	GRADE	QTY	LENGTH	WEIGHT (LBS)	WEIGHT TOTAL
p11	PL 1/4" X 3"	A572-GR.50	2	0'-7 1/2"	1.60	3.19



6	STG2
8	STG4
4	STG5
QTY	IN ASSEMBLY

PART'S - p12 - (18)REQ'D						
MARK	PROFILE	GRADE	QTY	LENGTH	WEIGHT (LBS)	WEIGHT TOTAL
p12	PL $\frac{3}{8} \times 5\frac{1}{2}$ "	A36	18	0'-9 7/16"	5.44	97.94

Project Name and Address TSAROVSKY RESIDENCE 9514 MONTE MAR LOS ANGELES, CA 90035		Description PLATE		Revision/Issue		Date	
AZI STEEL Structural Steel W 19528 VENTURA BLVD. #24 TARZANA, CA 91356 Ph: (818) 390-8904 Fax: azisteel@gmail.com		KEY PLAN		No.		Date	
Project 18022		Date 09/21/2021		Scale NONE		Drawn A.Y.	
Checked A.Y.		File name p12					